

MINIMAX

A C C E S S A L L A R E A S

Mini-Max Access Tower System Data-Sheets

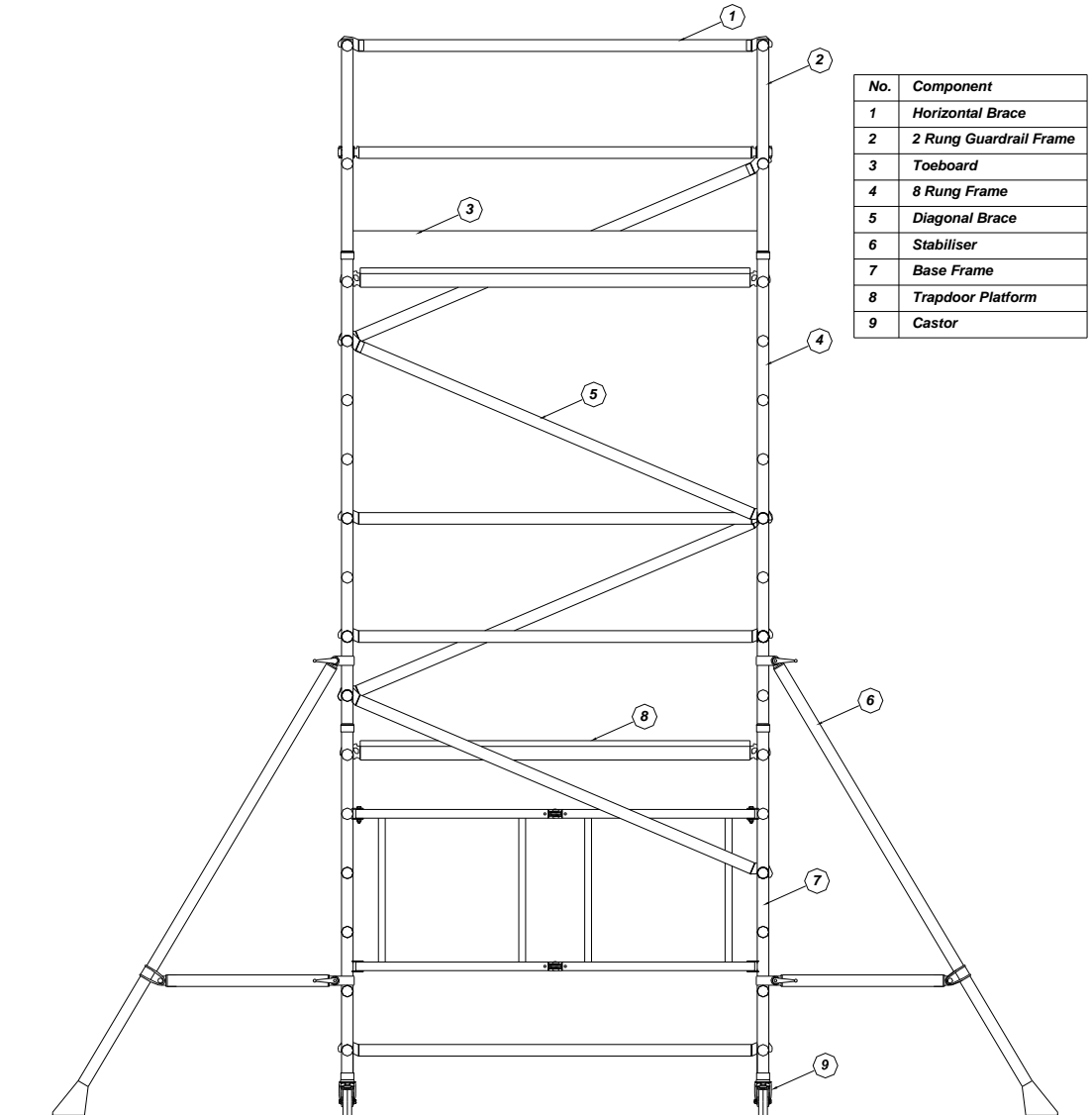
ISSUE: *D*

DATE: *Jan 2012*

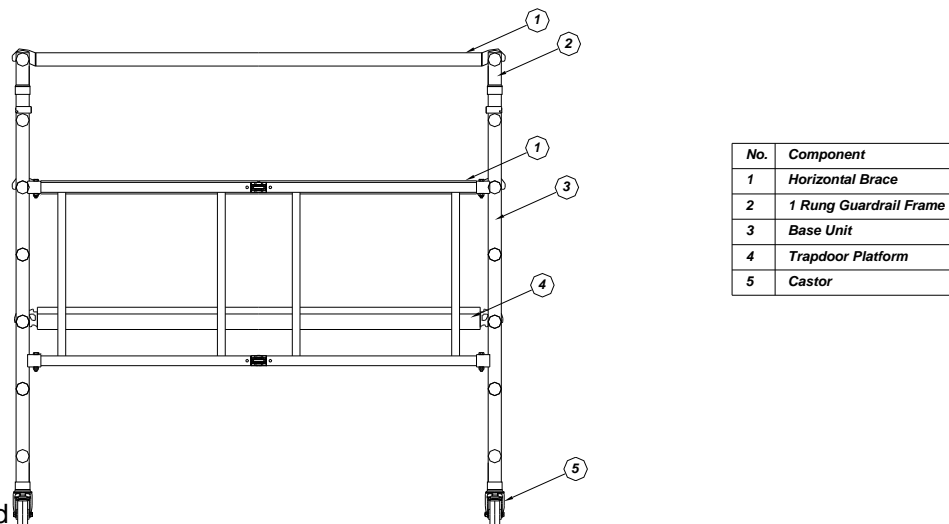
MINI-MAX DATA SHEET CONTENTS

<u>Description</u>	<u>Page No</u>
Title Page -----	1
Contents Page -----	2
Diagram of 3.7m Tower and 0.87m Tower -----	3
 <u>Components</u>	
Base Unit Frame -----	4
8 Rung Extension, 1 & 2 Rung Guardrail Frames -----	5
Trapdoor Deck -----	6
Braces -----	7
Stabilisers – Small & Medium -----	8
Adjustable Leg Pack & Castors -----	9
Toe Boards -----	10
 <u>Packs</u>	
Base Pack -----	11
2 Rung Guardrail Pack -----	12
1 Rung Guardrail Pack -----	13
8 Rung Extension Pack -----	14
Small Stabiliser Pack -----	15
Medium Stabiliser Pack -----	16
Toe Board Pack -----	17
 <u>Applications</u>	
Toe Board Assembly -----	18
Nylon Spigot & Interlock Clip Detail -----	19
Adjustable Leg & Castors – Fitting Details -----	20
Fitting of Stabilisers -----	21
Configurations for Platform Heights 0.6m to 1.65m -----	22
Configuration for Platform Heights 2.7m to 5.8m -----	23
Stabiliser Positions – Open areas & against walls -----	24
Schedules of Equipment -----	25
Loading Specification -----	26

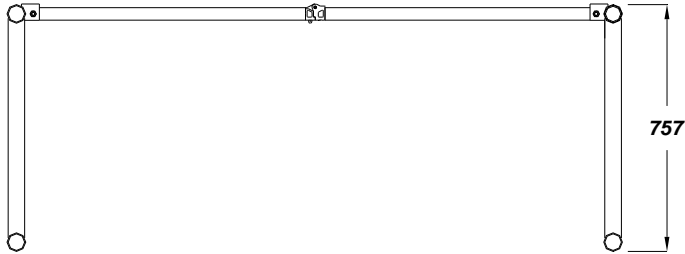
MINI-MAX Diagram of 3.7m Tower showing all components



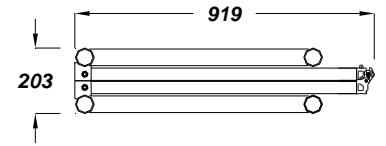
MINI-MAX Diagram of 0.87m Tower showing all components



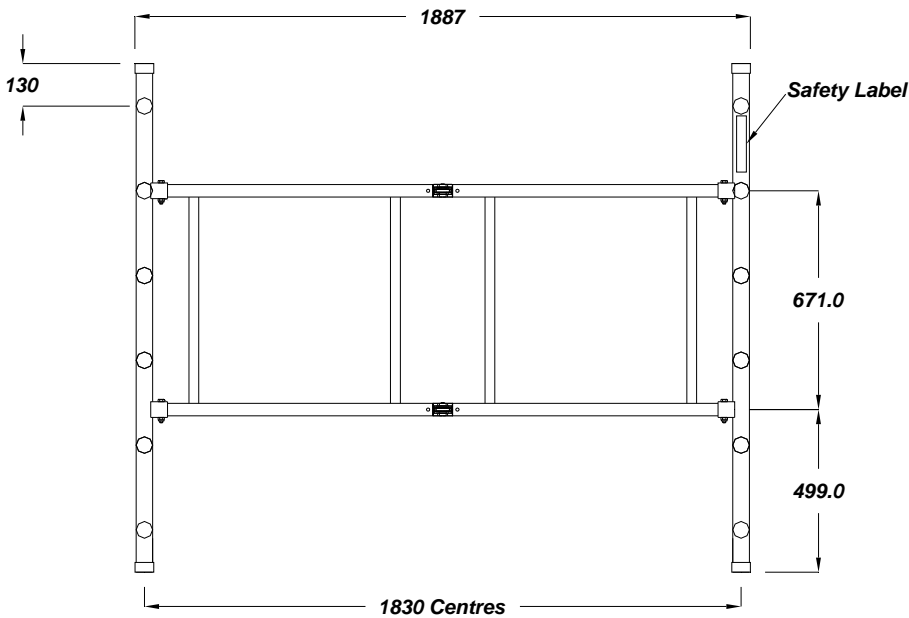
MINI-MAX Base Frame Unit



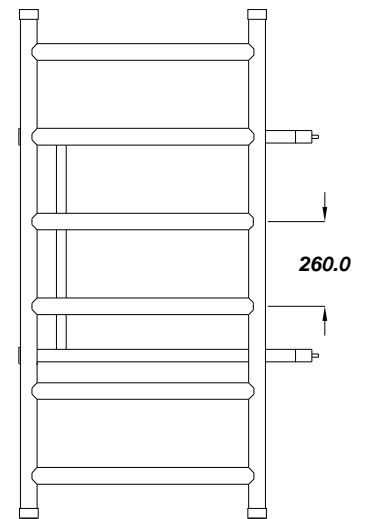
Top view of Base Unit (Open)



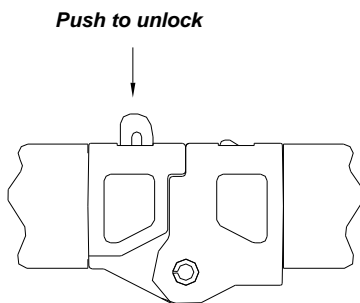
Top view of Base Unit (Folded)



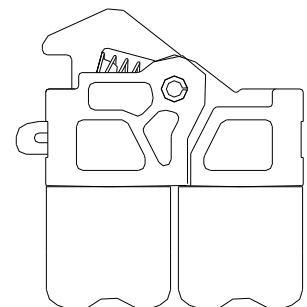
Side view of Base Unit (Open)



End view of Base Unit (Folded)



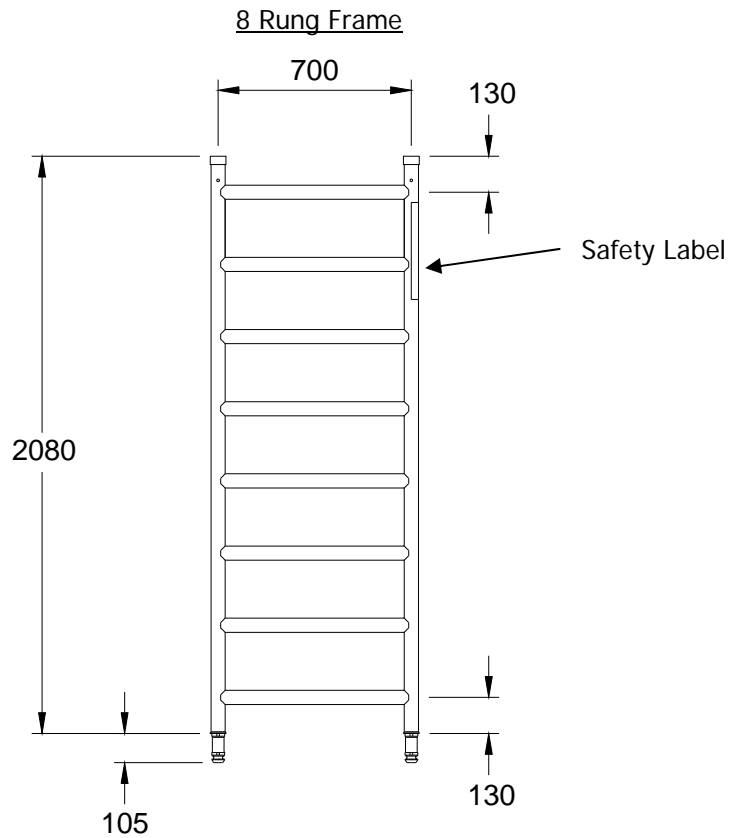
View of Locking Hinge in closed position
 (Arrow indicates release trigger)



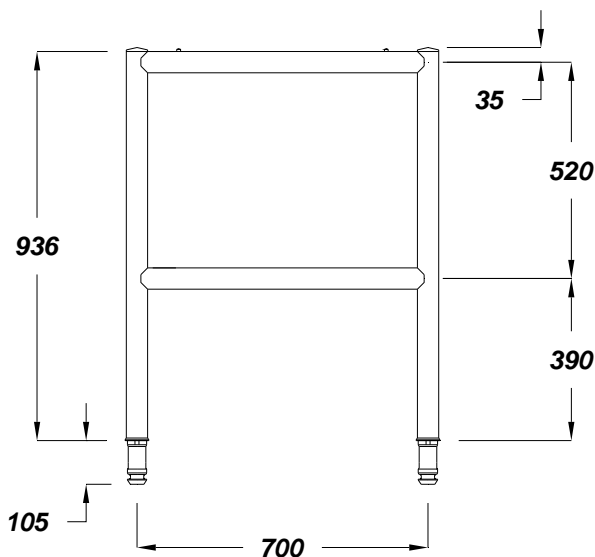
View of Locking Hinge in fully open position

Specification	All main tubes 50.8 diameter	
Base Unit	Weight 14.6 kg	Part no 000600

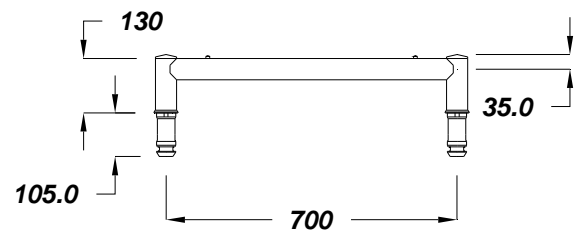
MINI-MAX 8 Rung Extension Frame - 1 & 2 Rung Guardrail Frames



2 Rung Guardrail Frame



1 Rung Guardrail Frame



Specification

Description

1m 2-Rung Guardrail Frame
 2m 8-Rung Frame
 0.2m 1-Rung Guardrail Frame

Rung Pitch:- all 260mm, Tube diameter:- all 50.8mm

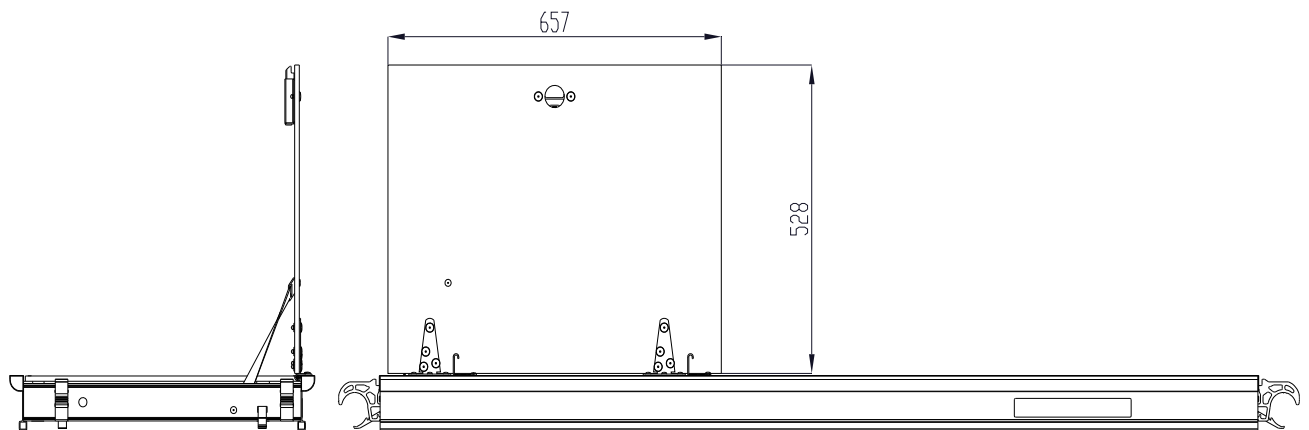
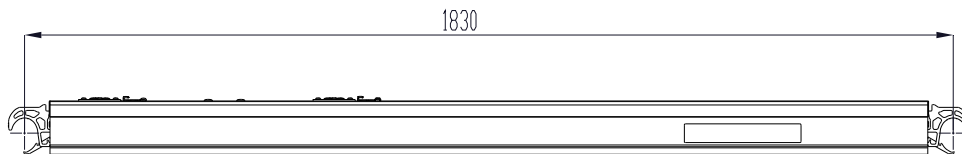
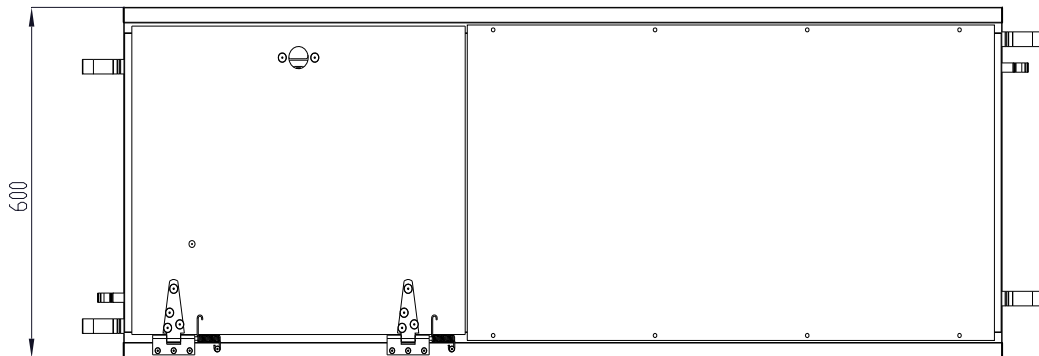
Weights

2.5 kg
 7.0 kg
 1.2 kg

Part no

000618
 000616
 000617

MINI-MAX Trapdoor Deck



Specification

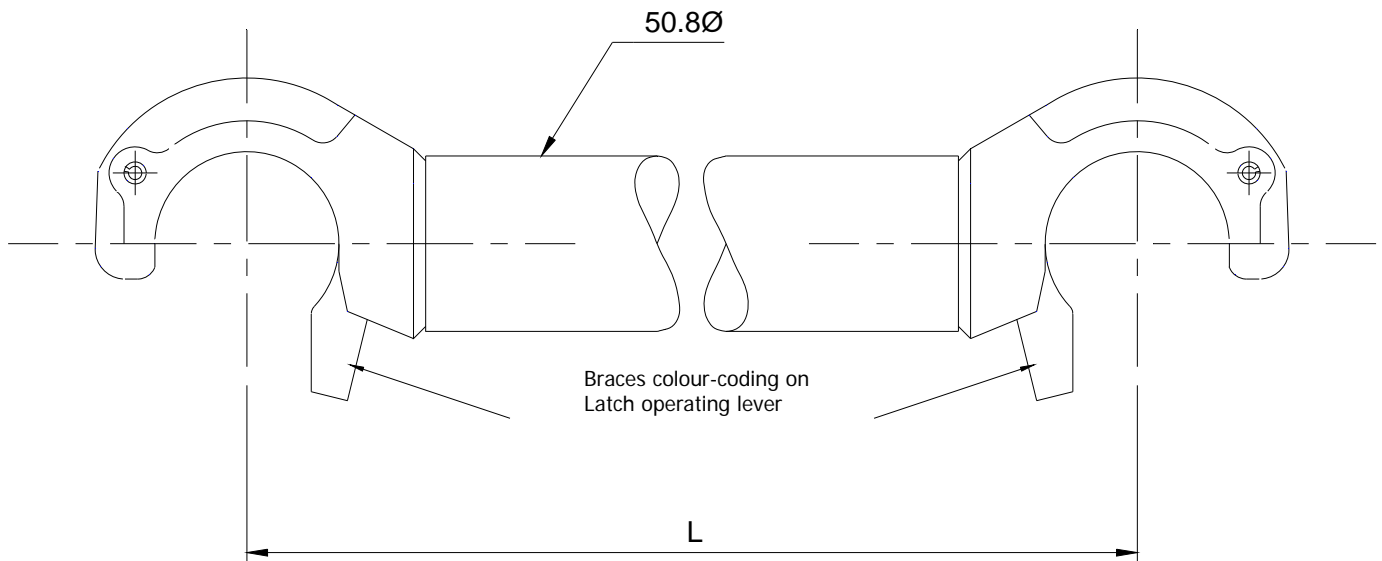
1.83m Trapdoor Deck

Weight

14.4 kg

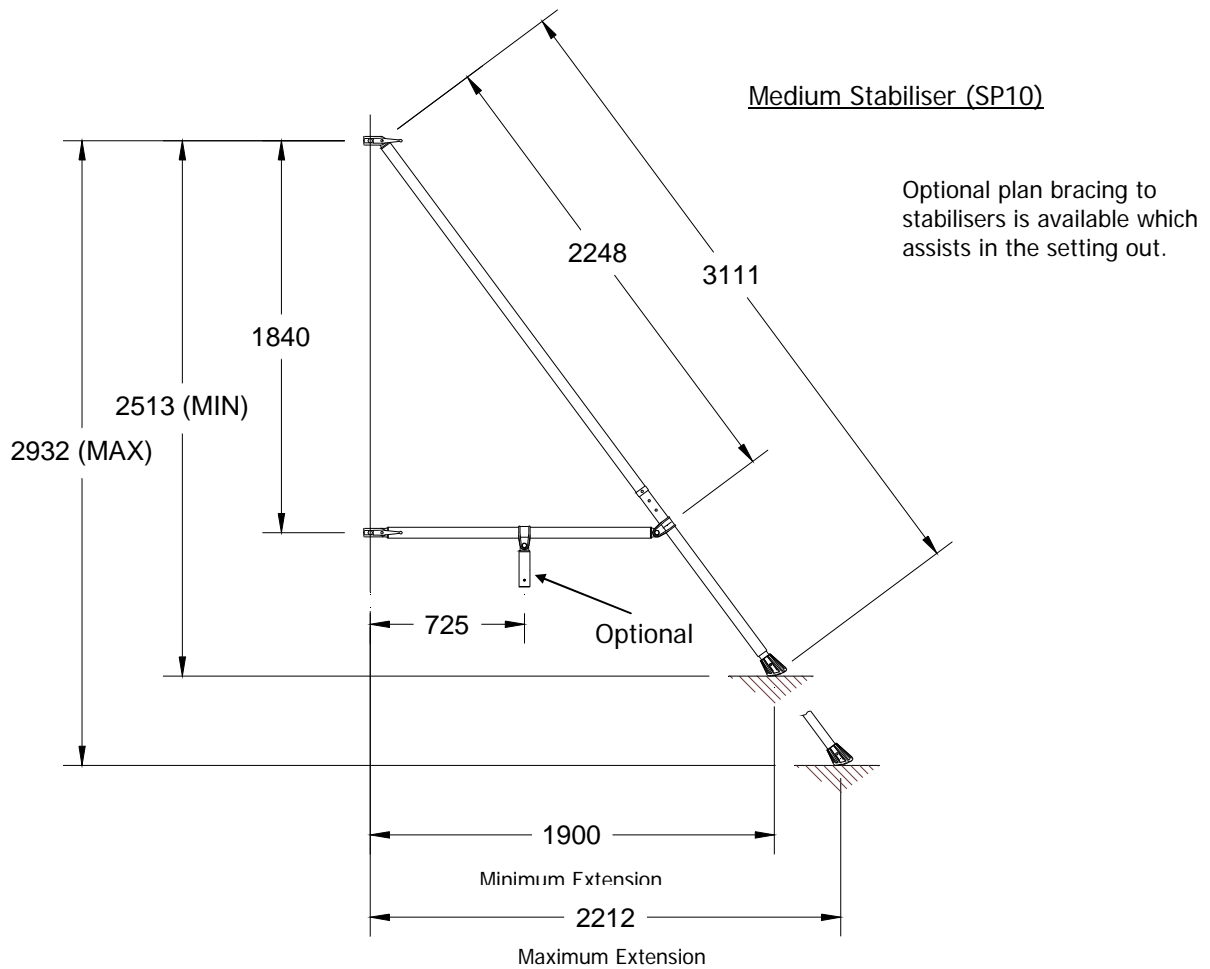
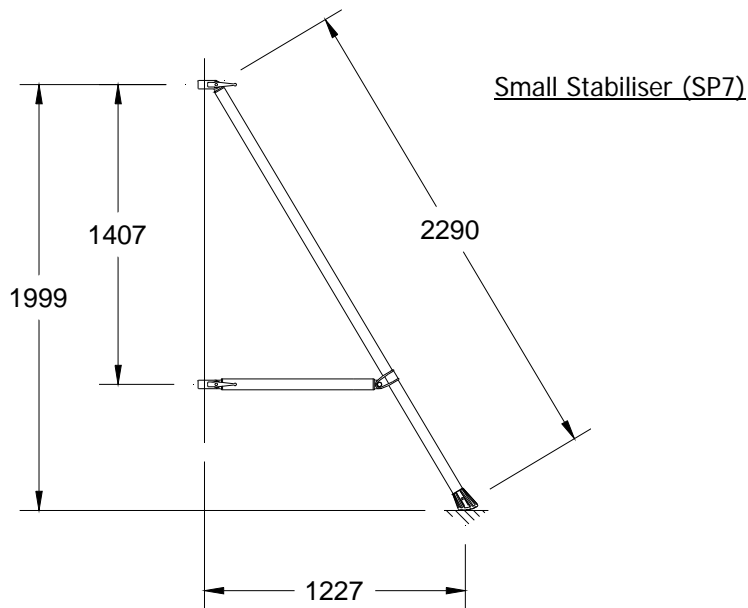
Part no

000615

MINI-MAX Brace Dimensions & Weights**Specification****Braces**

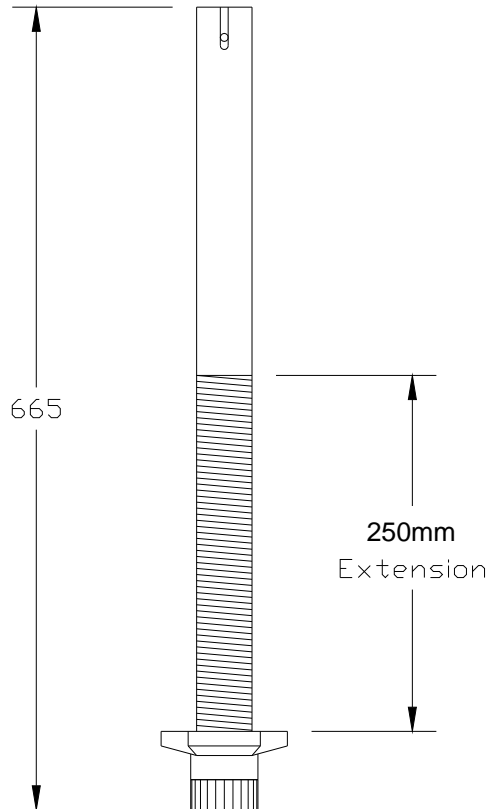
Description	Dim L	Latch Colour	Weight	Part no
1.83m Horizontal	1830mm	Red	1.7 kg	000621
2.0m Diagonal	1989mm	White	1.9 kg	000610
1.96m Plan	1960mm	Blue	1.8 kg	352518

MINI-MAX Small & Medium Stabilisers



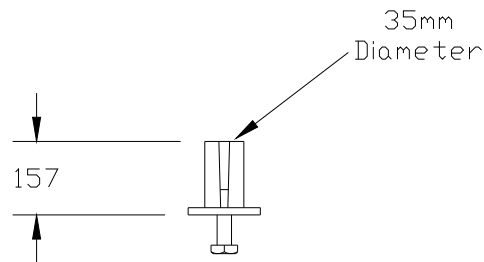
Specification	All tubes 50.8mm diameter	Weight	Part no
Small Stabiliser		5.8 kg	317513
Medium Stabiliser		9.1 kg	318513

MINI-MAX Adjustable Leg Pack & Castors

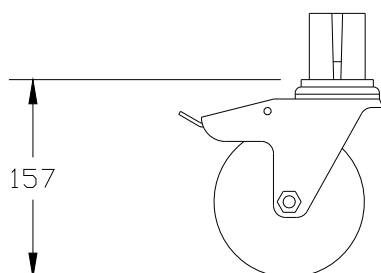


Adjustable Leg Pack
Weight: 5.0 kg
Part no 379518
Comprises:
4 x Adjustable Leg
4 x Replacement Spigot

Adjustable Leg
Weight: 1.10 kg

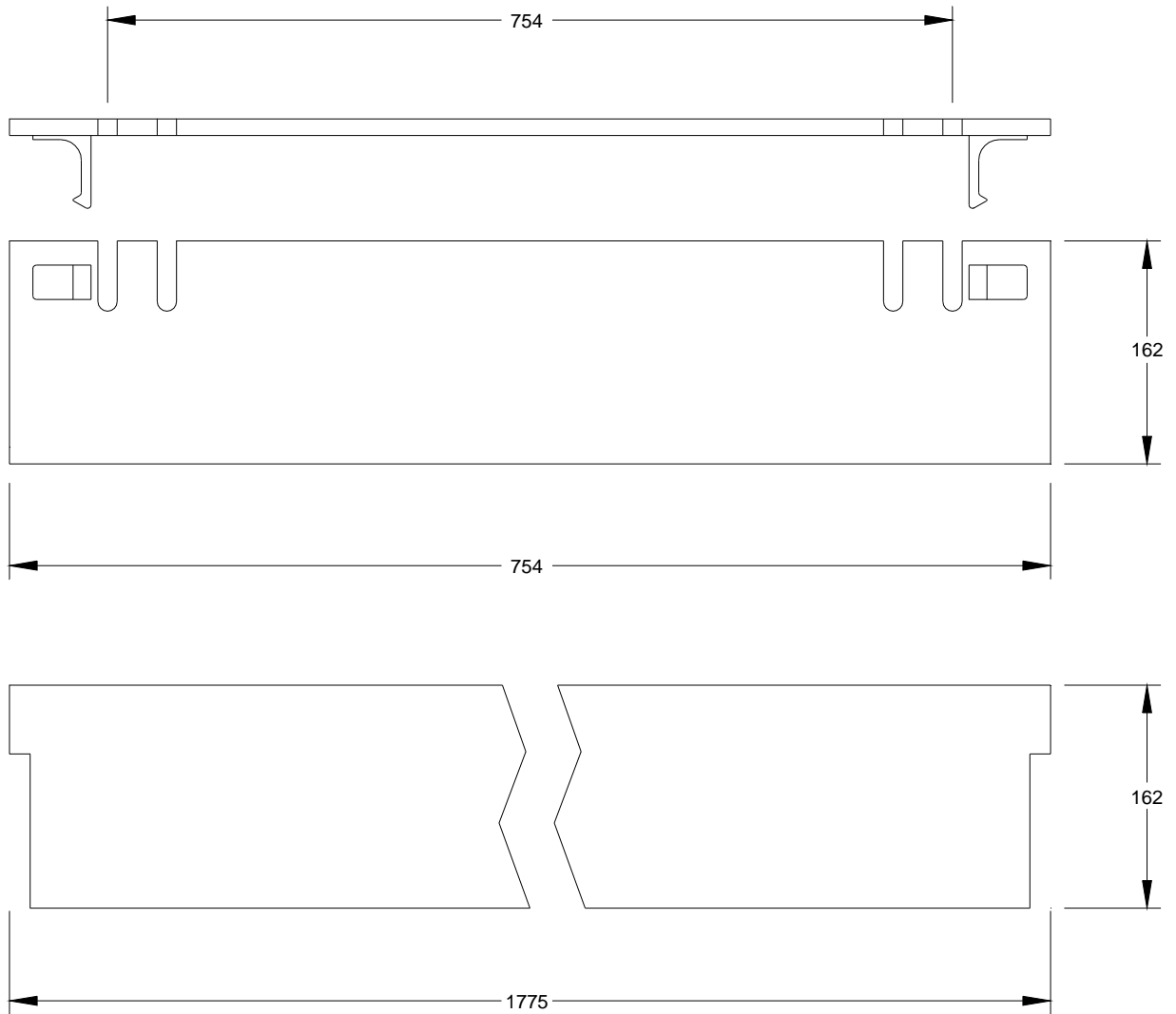


Replacement Spigot
(to fit Adjustable Leg)
Weight: 0.15 kg



125mm (5") Diameter Castor
Fitted to Base Unit – Not Supplied in
Adjustable Leg pack
Weight: 1.25 kg

MINI-MAX End & Side Toeboards



(see note below)

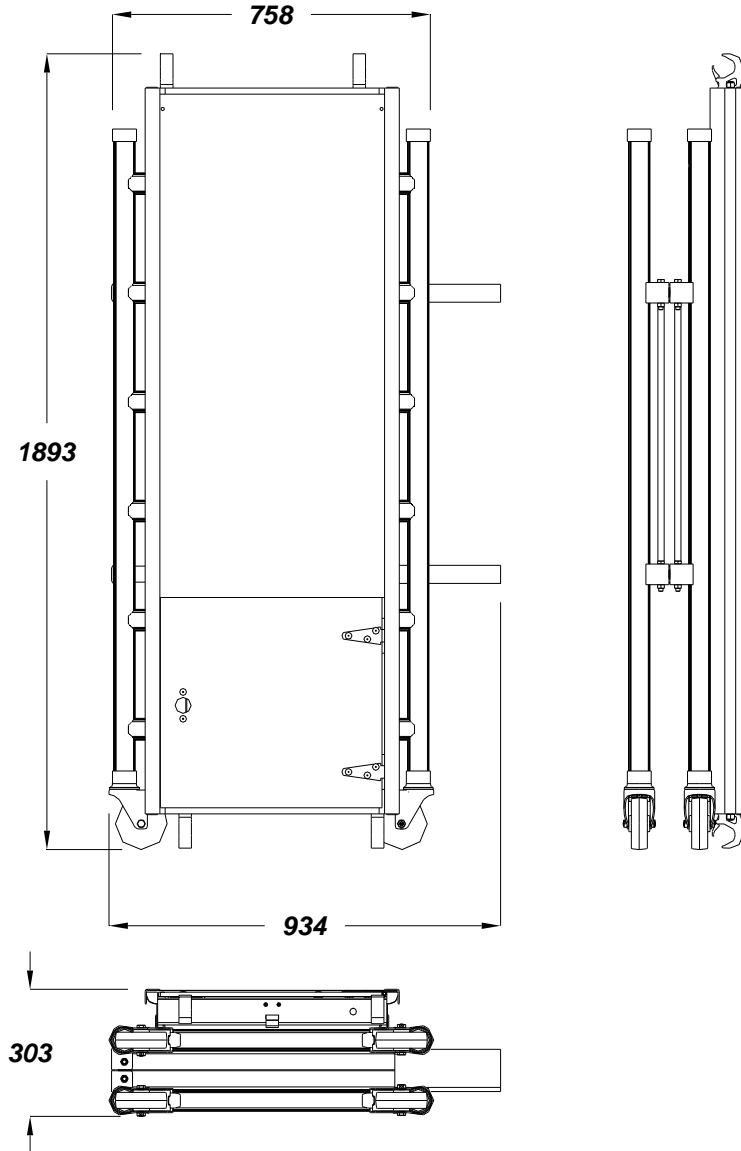
Toeboard	Weight	Part no
End	1.0 kg	000622
Side	2.3 kg	576917

Specification

Toeboard Clip (Red LD Polyethylene)

Note: End & Side Toeboards - 12mm thick combiboard

MINI-MAX Base Pack

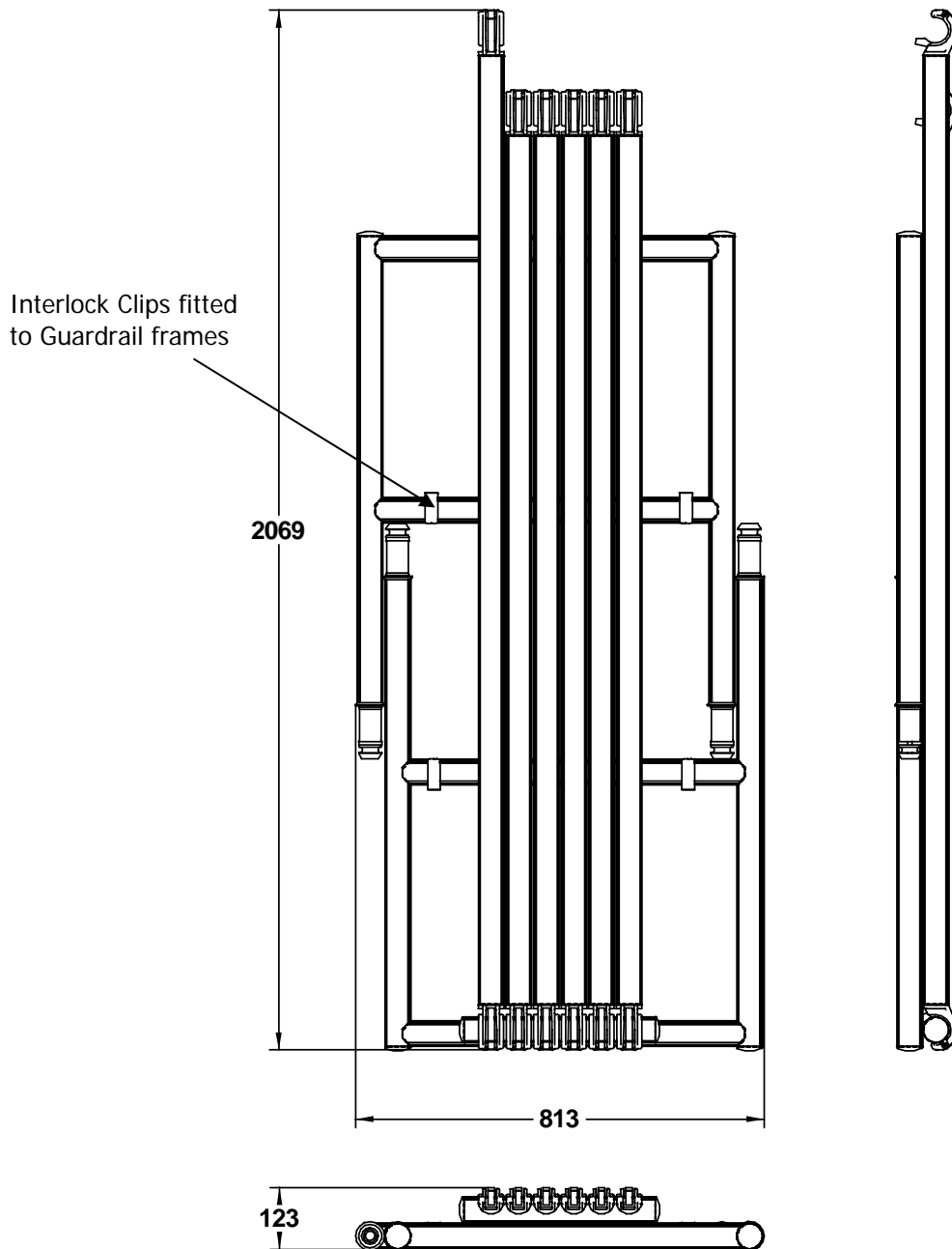


Contents of Pack:

Component	No. Off
Base Frame Unit	1
1.83m Trapdoor Deck	1
Standard Castor	4
Assembly Guide	1

Weight of Standard Pack: 34kg

MINI-MAX 2 Rung Guardrail Pack

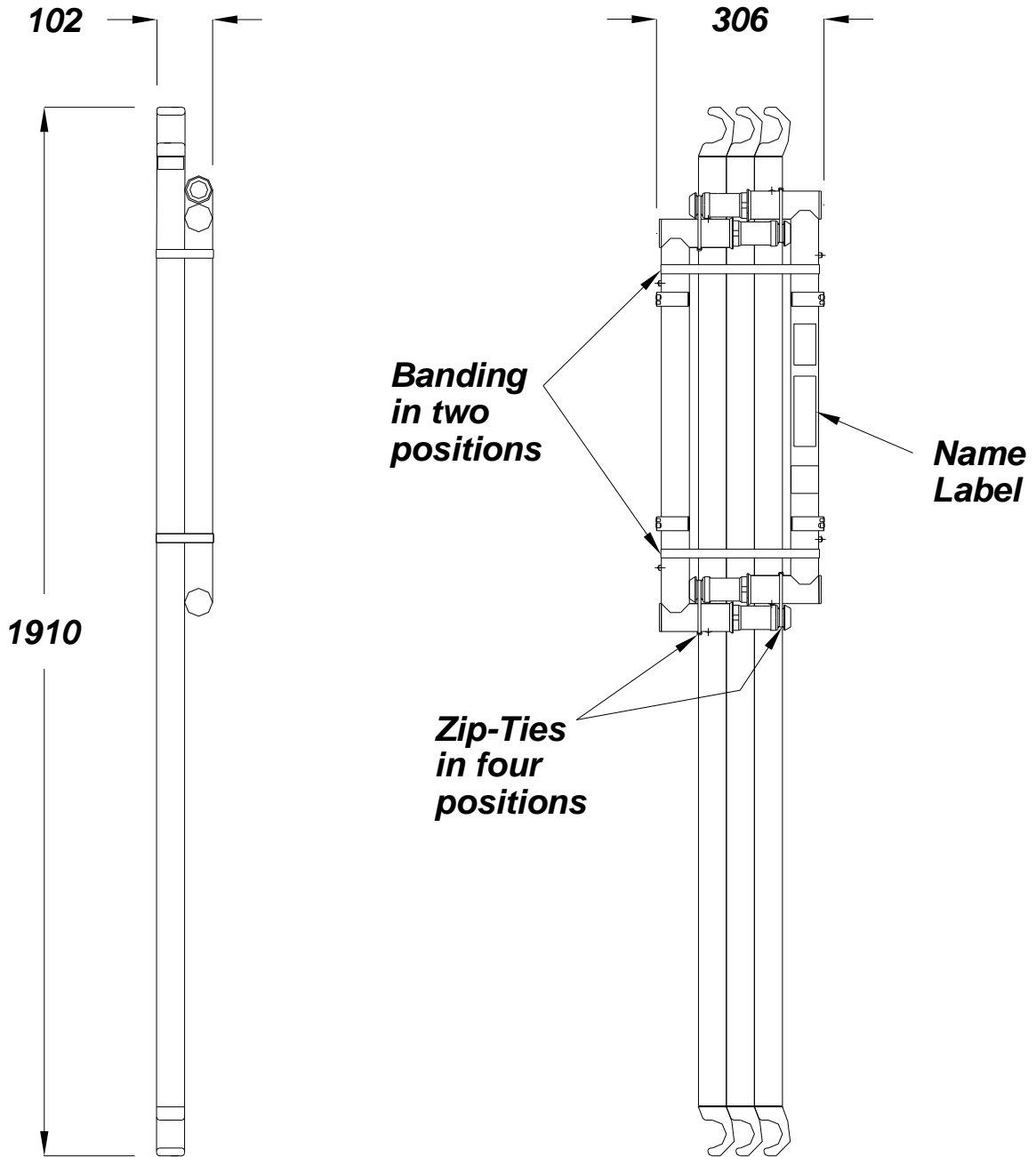


Contents of Pack:

Component	No. Off	Part no
2 Rung Guardrail Frame	2	000618
Horizontal Braces (red)	5	000621
Diagonal Braces (white)	1	000610
Interlock Clips	4	033603

Weight of Pack: 15.6kg

MINI-MAX 1 Rung Guardrail Pack

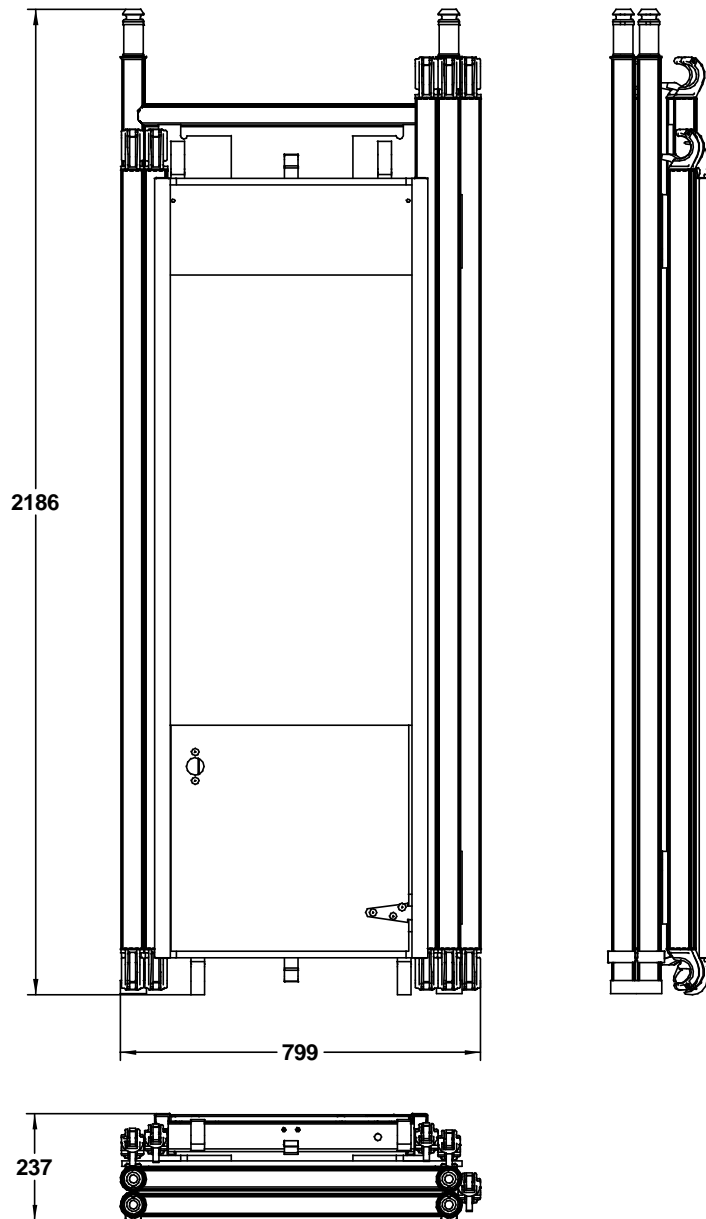


Contents of Pack:

Component	No. Off	Part no
1 Rung Guardrail frame	2	000617
Horizontal Braces (Red)	3	000621
Interlock Clips	4	033603

Weight of Pack: 7.5kg

MINI-MAX 8 Rung Extension Pack

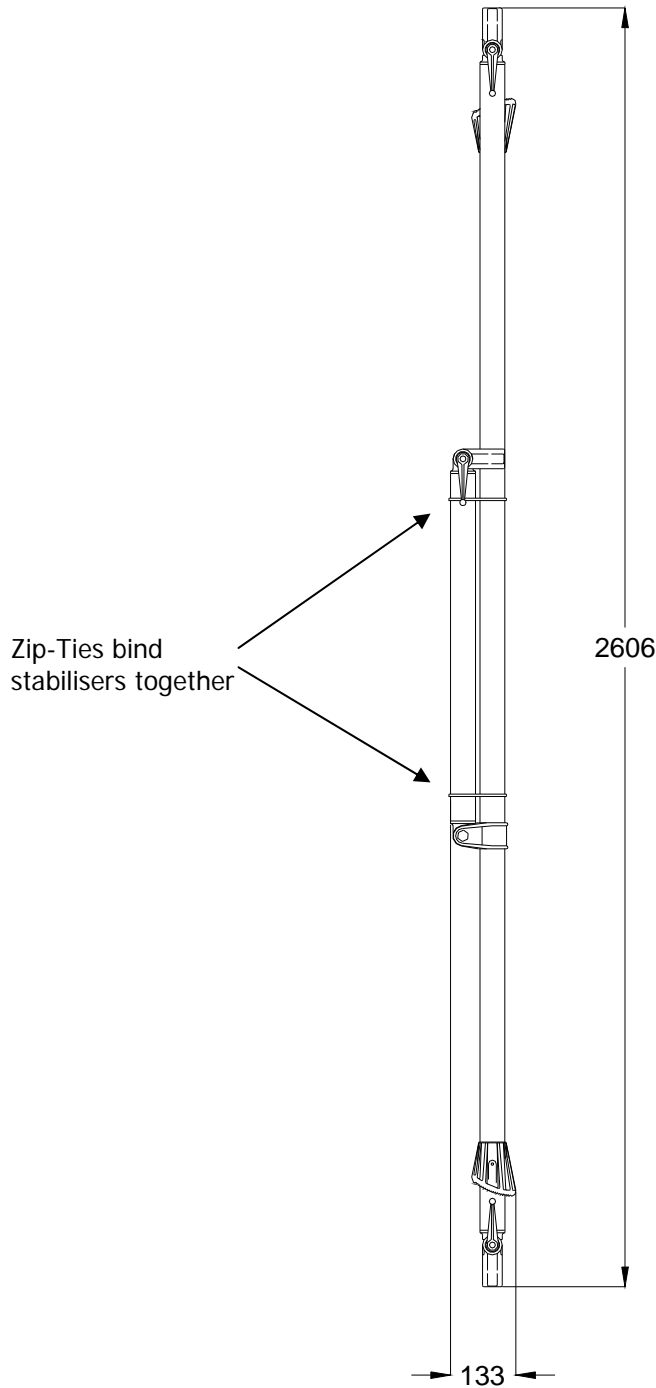


Contents of Pack:

Component	No. Off	Part no
8 Rung Frame	2	000616
Trapdoor Deck	1	000615
Diagonal Braces (white)	3	000610
Horizontal Braces (Red)	4	000621
Interlock Clips	4	033603

Weight of Pack: 41.2kg

MINI-MAX Small Stabiliser Pack (SP7)



Contents of Pack:

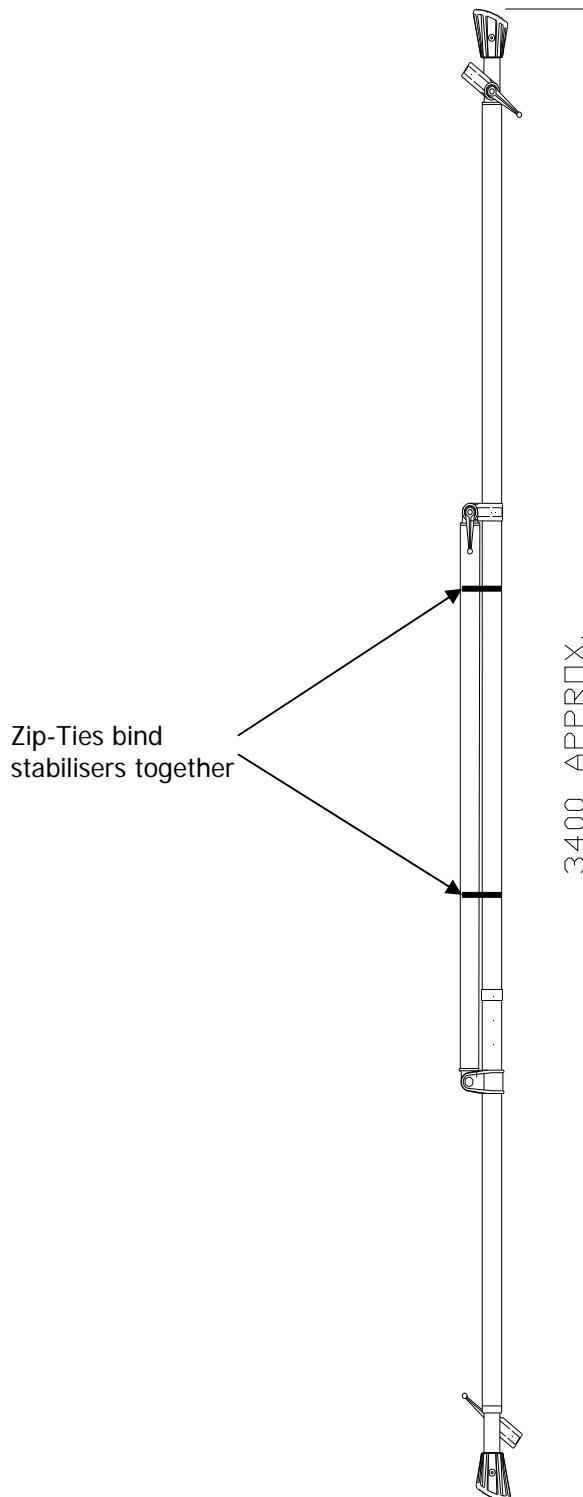
Component
 Small Stabiliser

No. Off
 2

Part no
 317513

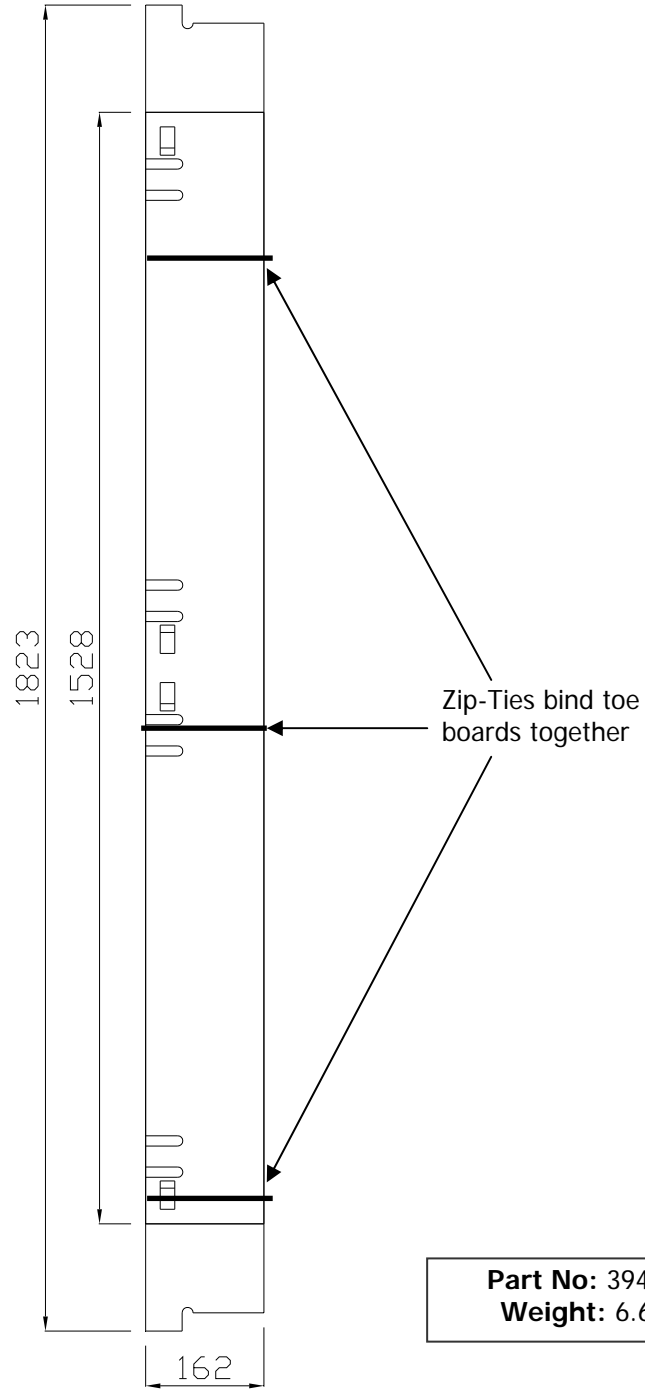
Depth of Pack: 180mm
Weight of Pack: 11.6kg

MINI-MAX Medium Stabiliser Pack (SP10)



Component	No. Off	Part no	Weight
Medium Stabiliser Pack	2	374518	18.2 kgs

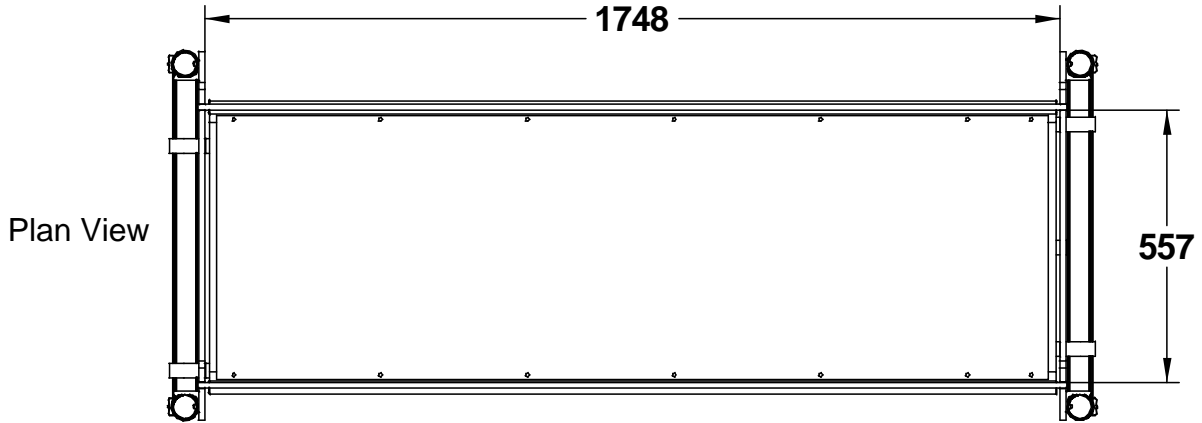
MINI-MAX Toe Board Pack



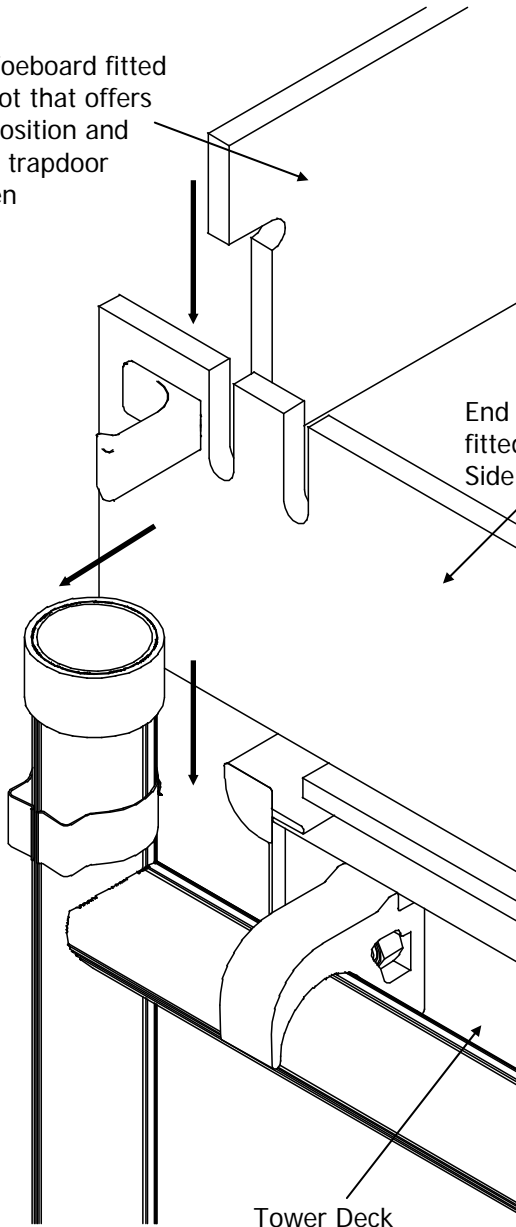
Part No: 394518
Weight: 6.6kg

Component	No. Off	Part no	Weight
End Toe Board	2	000622	1.0 kg
Side Toe Board	2	576917	2.3 kg

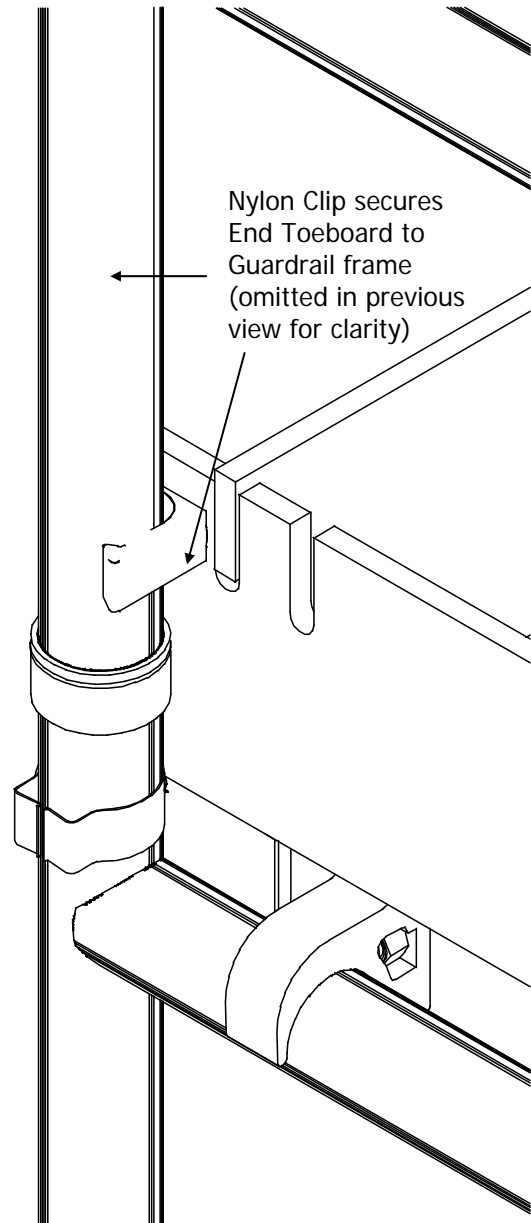
MINI-MAX Exploded View of Toeboard Assembly



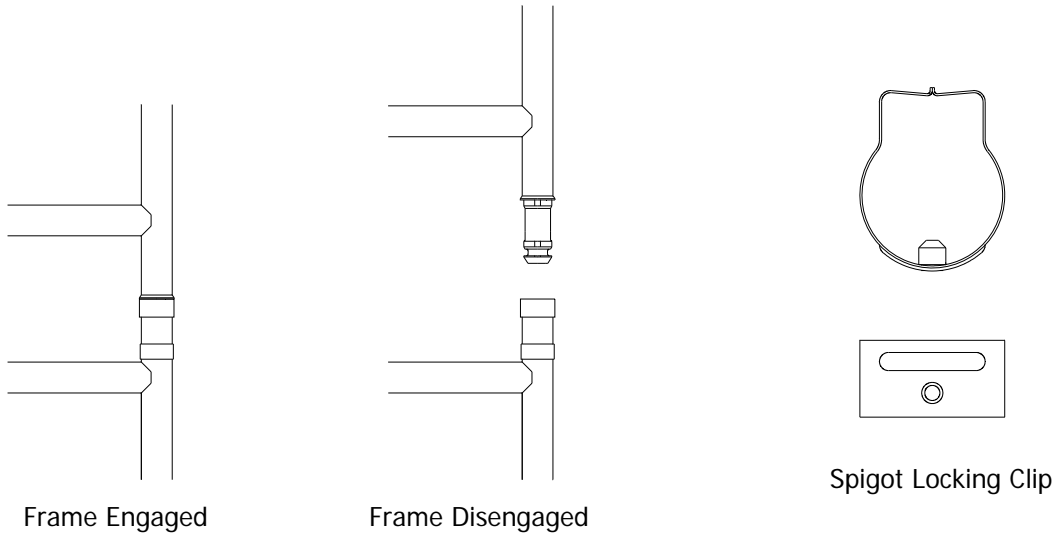
Side Toeboard fitted into slot that offers best position and allows trapdoor to open



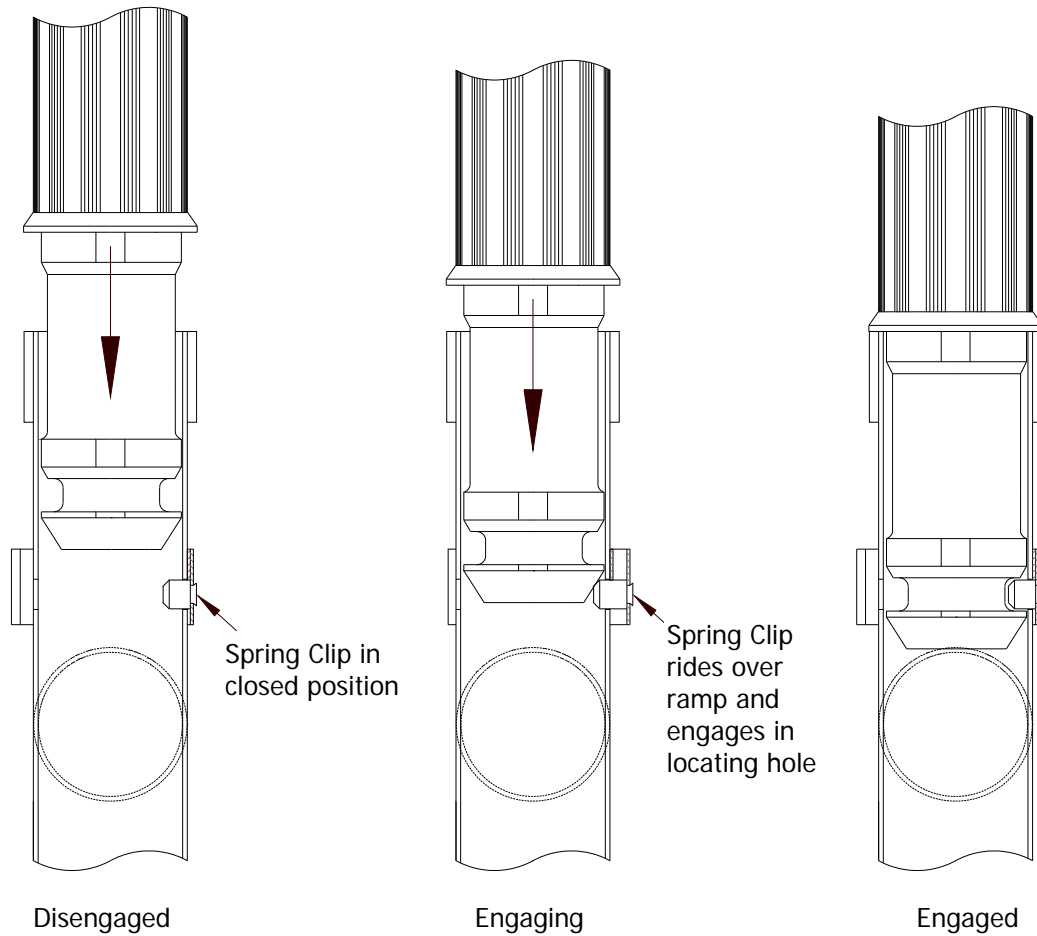
Nylon Clip secures End Toeboard to Guardrail frame (omitted in previous view for clarity)



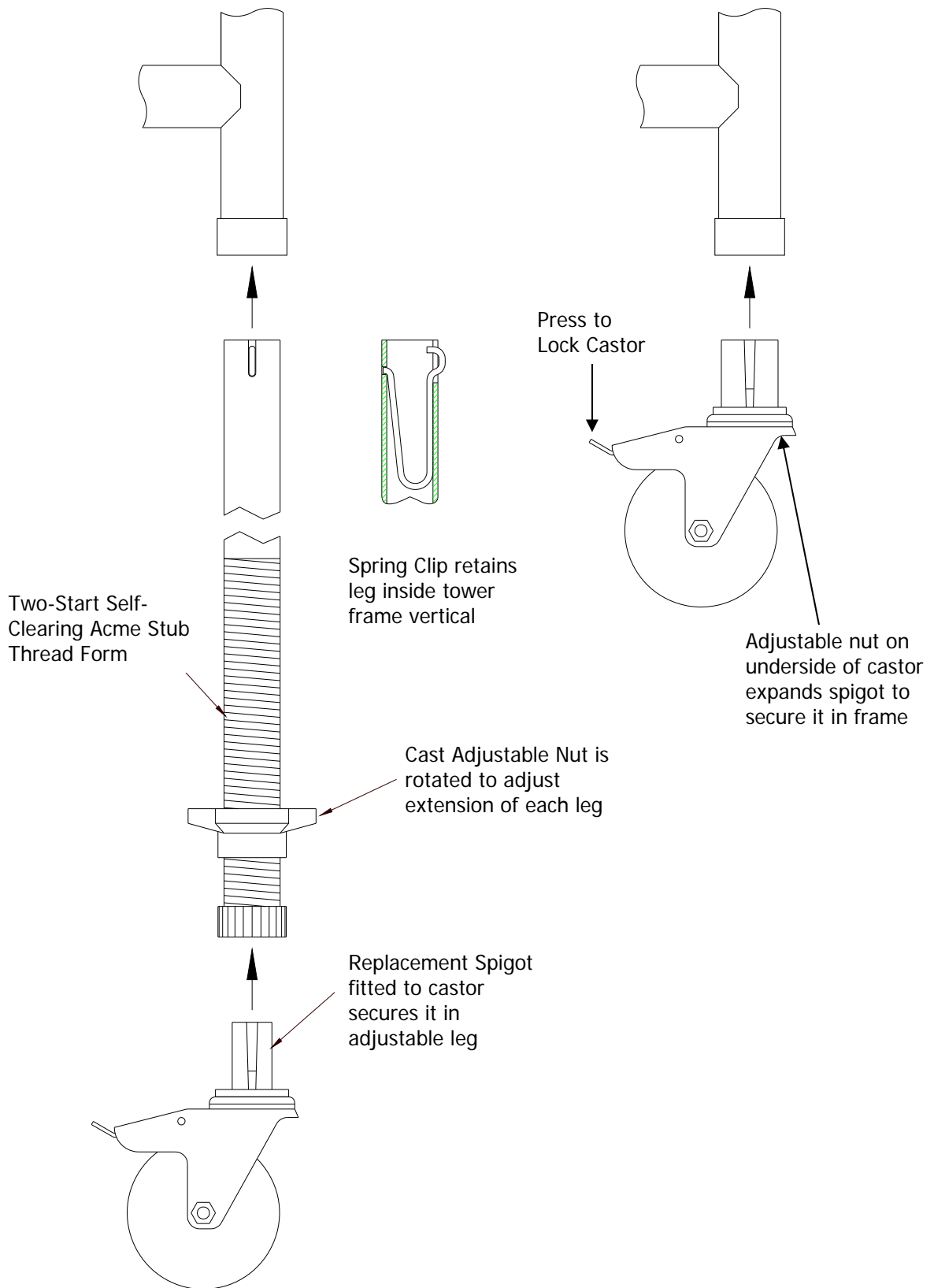
MINI-MAX Nylon Spigot & Interlock Clip Detail



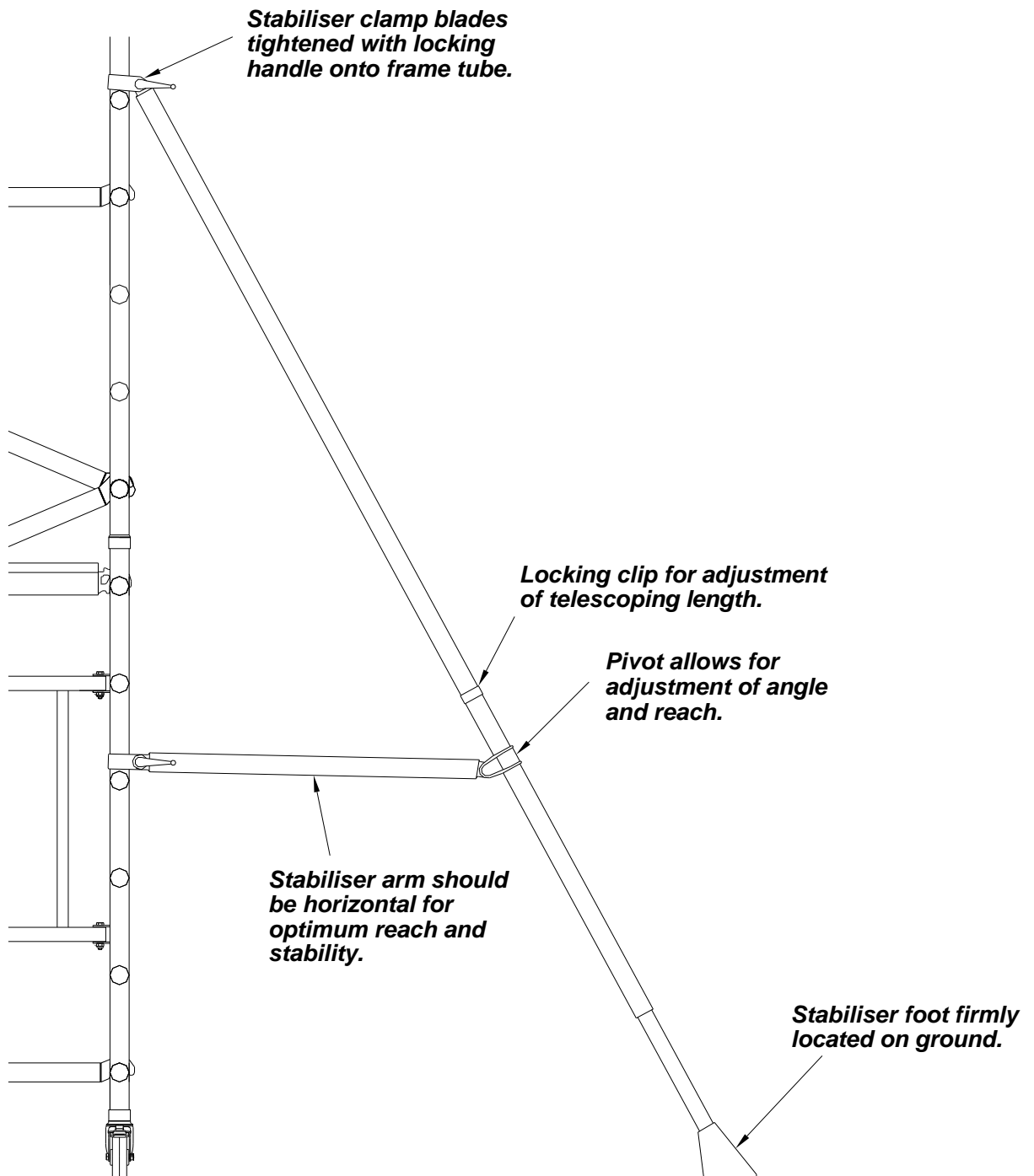
Sectional View Spigot Automatic Locking



MINI-MAX Adjustable Leg and Castor Details

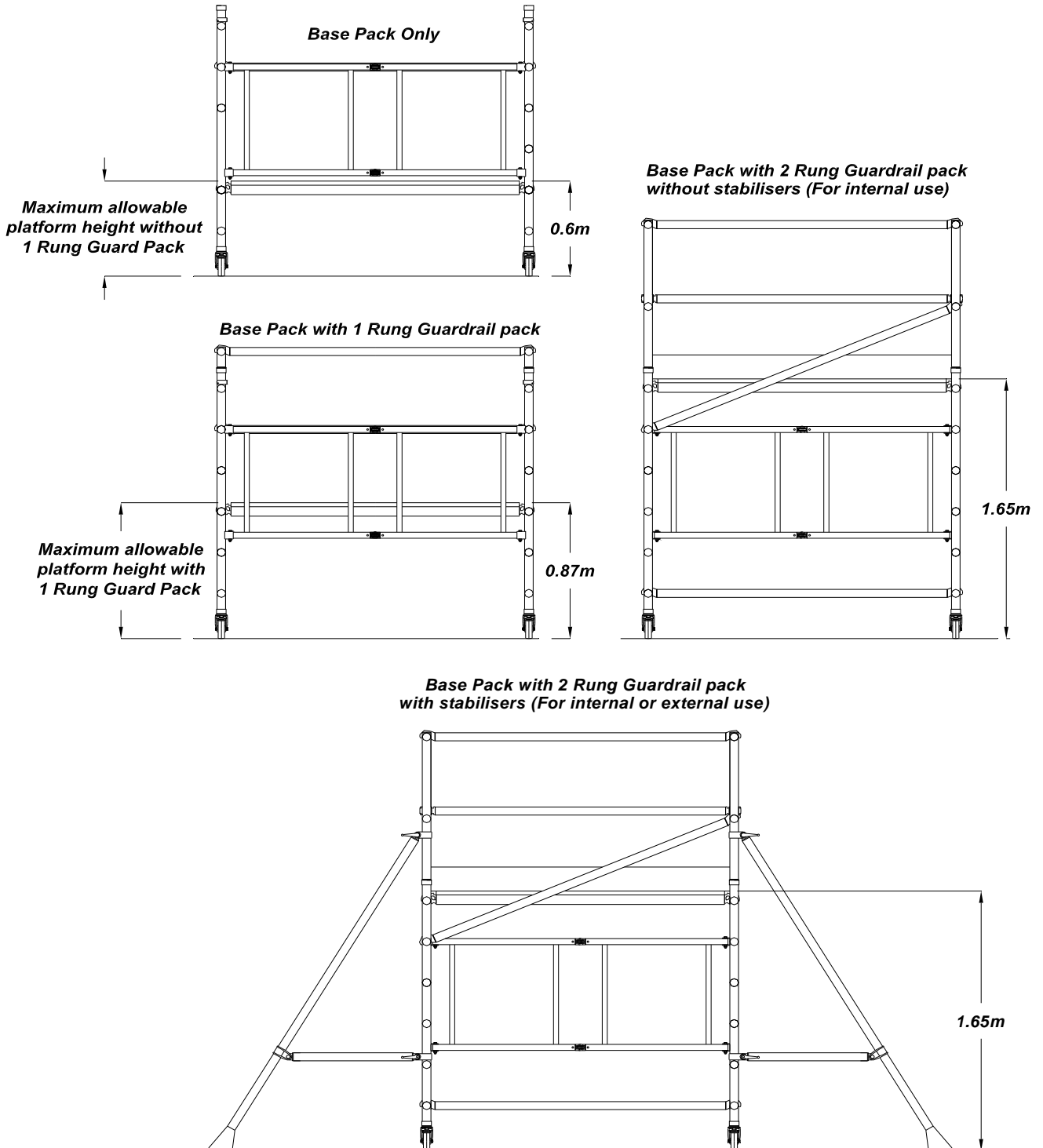


MINI-MAX Fitting of Stabilisers



Stabilisers should be fitted to each corner of the tower and spread as far as possible to ensure maximum stability of the structure. For plan views of stabiliser positions refer to page 24.

MINI-MAX Base Pack Configurations



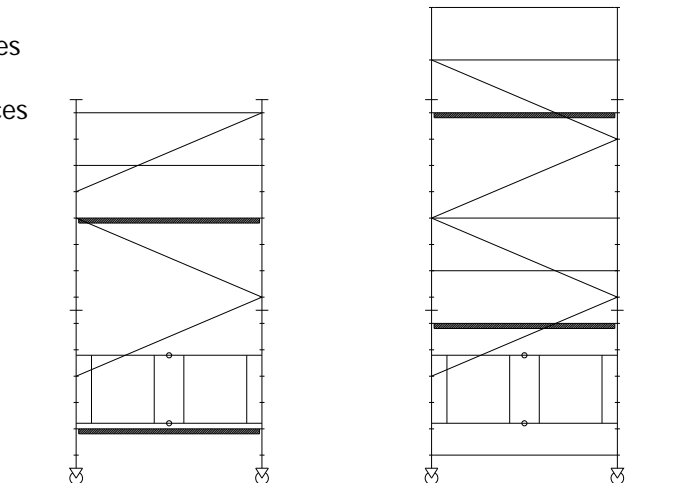
MINI-MAX Tower Bracing Configuration Full Zig-Zag Bracing Platform Heights 2.7m to 5.8m

IMPORTANT: STABILISERS ARE REQUIRED IN ALL CONFIGURATIONS 2.7m to 5.8m but are omitted from the following diagrams for clarity

A = Platform Height

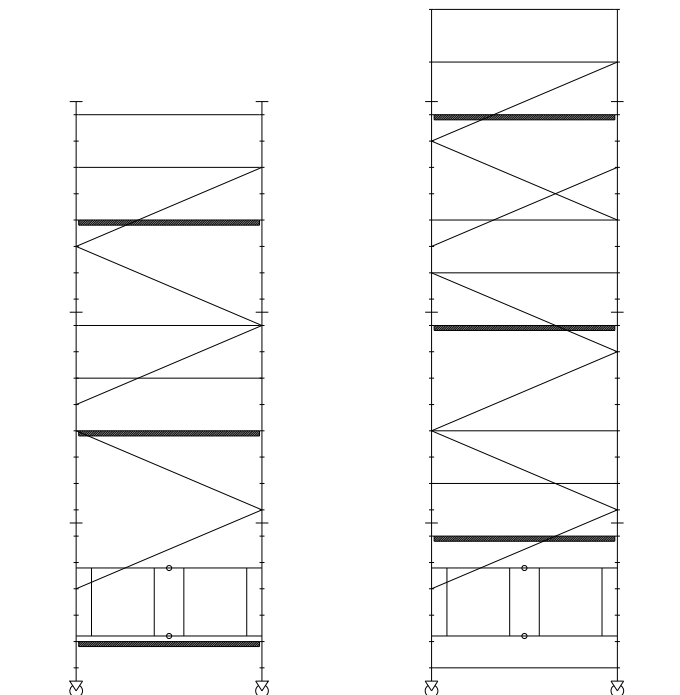
B = No. of Diagonal Braces

C = No. of Horizontal braces



A = 2.7m
 B = 3
 C = 4

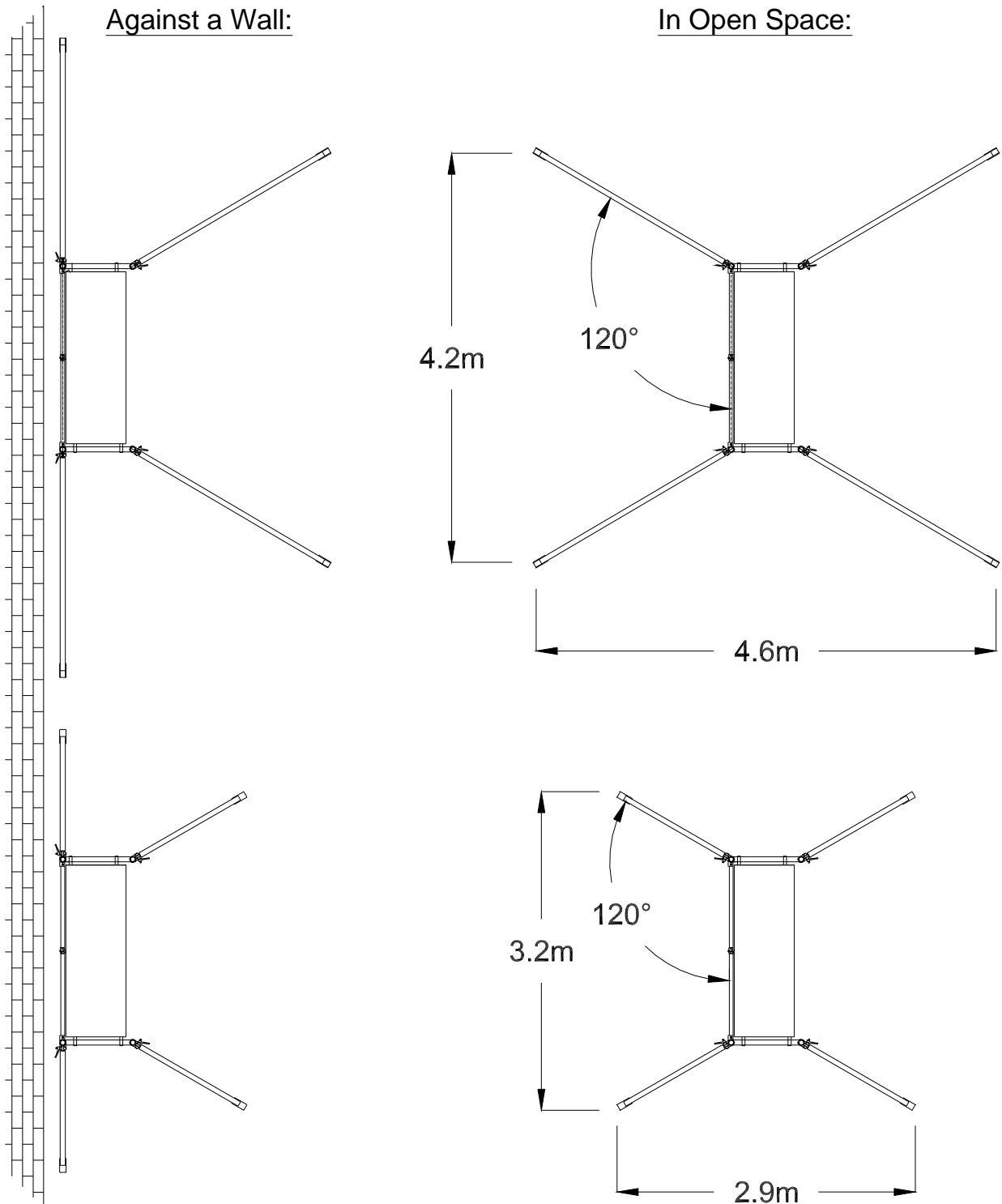
A = 3.7m
 B = 4
 C = 9



A = 4.8m
 B = 5
 C = 8

A = 5.8m
 B = 7
 C = 13

MINI-MAX Optimum Stabiliser Positions



Plan view of Medium and Small Stabilisers fitted to Mini-Max Tower positioned against a wall and in open space:

MINI-MAX – Schedule of Equipment

Working Height (m)		2.6	2.8	3.7	4.7	5.7	6.8	7.8
Platform Height (m)		0.6	0.9	1.7	2.7	3.7	4.8	5.8
PACK QUANTITIES		Wt.						
Base Pack	34	1	1	1	1	1	1	1
1 Rung Guardrail Pack	7.5		1					
2 Rung Guardrail Pack	16			1		1		1
Extension Pack	44				1	1	2	2
Small Stabiliser	6			4 ^a	4	4		
Medium Stabiliser	9						4	4
Toe Board Pack	6.6	1	1	1	1	1	1	1
Adjustable Leg Pack ^b		1	1	1	1	1	1	1
COMPONENTS QUANTITIES								
Base Unit	14.6	1	1	1	1	1	1	1
Trapdoor Platform	14.4	1	1	1	2	2	3	3
1 Rung Guardrail Frame	1.2		2					
2 Rung Guardrail Frame	2.5			2		2		2
8 Rung Frame	7				2	2	4	4
Horizontal Brace	1.7		3	5	4	9	8	13
Diagonal Brace	1.9			1	3	4	5 ^c	7
End Toeboard	1	2	2	2	2	2	2	2
Side Toeboard	2.3	2	2	2	2	2	2	2
Small Stabiliser (SP7)	6			4 ^a	4	4		
Medium Stabiliser (SP10)	9						4	4
Spigot Locking Clip			4	4	4	8	8	12
Castor	1.3	4	4	4	4	4	4	4
Adjustable Leg	1.1	4 ^a	4 ^a	4 ^a	4 ^a	4 ^a	4 ^a	4 ^a

Notes

a Required For External Use

b Required for use on Uneven or Sloping Ground

c 6 supplied

MINI-MAX – Loading Specification

The Mini-Max 700 wide Span tower has been designed and assessed to the requirements of EN1004 Class 3.

Maximum Load on the Complete Structure = 500 kg evenly distributed

The Maximum Safe Tower Load is the Maximum Load on the Complete Structure (500kg) less the self weight of the tower.

Maximum Load on Platform = 220 kg evenly distributed

Maximum Horizontal Force on a tower = 20kg

Working Height (m)	2.6	2.8	3.7	4.7	5.7	6.8	7.8
Platform Height (m)	0.6	0.87	1.65	2.7	3.7	4.8	5.8
SELF WEIGHT OF TOWER	(34 ^a) 41	(42 ^a) 48	[56 ^b] 79	105	120	157	174
# MAXIMUM SAFE TOWER LOAD	{200 ^c } kgs	{200 ^c } kgs	{200 ^c } kgs	395 kgs	380 kgs	343 kgs	326 kgs

Notes

a) Figures in brackets (^a) are weight excluding toe boards.

[b] Figures in brackets [^b] are weight excluding stabilisers – internal use only.

{c} Load in brackets {^c} are limited by number of platforms

All figures exclude weight of Adjustable Legs. Deduct 4.4 kgs from Maximum Safe Tower Load when using 4 Adjustable Legs.

IMPORTANT – MAXIMUM SAFE TOWER LOAD

- The total combined load of the users, tools, and materials must **NEVER** exceed the **Maximum Safe Tower Load**.
- The **Maximum Safe Platform load** that can be placed **on any 1 platform** in a tower is **220kg** which must be **evenly distributed** over the platform.
- Where there is only 1 platform in a tower, the **Maximum Safe Tower load** is limited to **220kgs**