



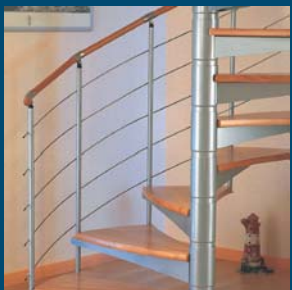
Attic ladders



Space saving staircases



Modular staircases



Spiral staircases



Main staircases

LADDERSTORE

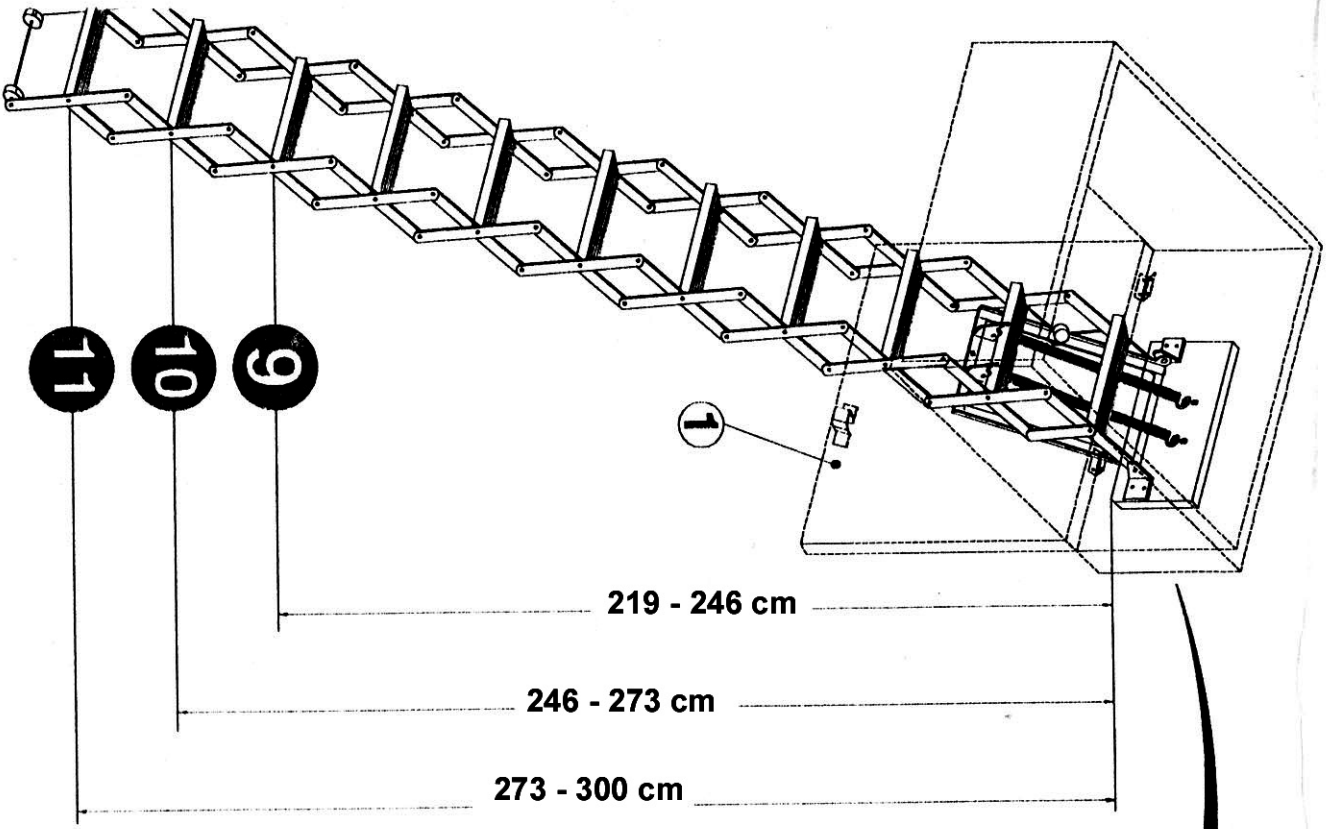


# Alufix

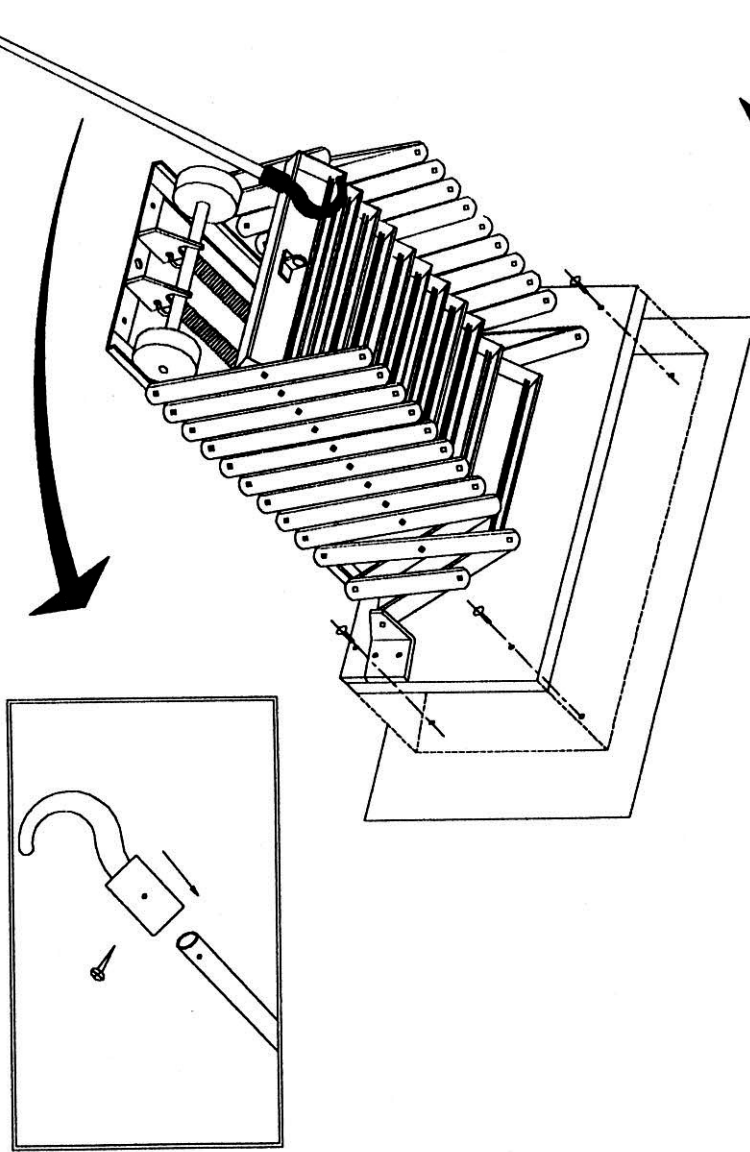
## Aluminium concertina ladder

- Requires no space - ideal for very small ceiling openings min. 600 x 500 mm.
- Swing clearance 47 cm
- Existing trapdoor is used - the ladder is fastened directly onto the opening frame by means of the wooden plate supplied.
- Comfortable and safe operation - delivered with spring controlled suspension system which keeps the ladder in position.
- Easy and quick installation - without the need for special tools.
- Maximum comfort and security - wide non-slip treads. Tread width is 340 mm and the tread depth is 78 mm.
- Space saving - the ladder requires no space when it is folded. Requires only limited landing space.
- Unique robustness - tested to 200 kg.
- Max working load 100 kg.

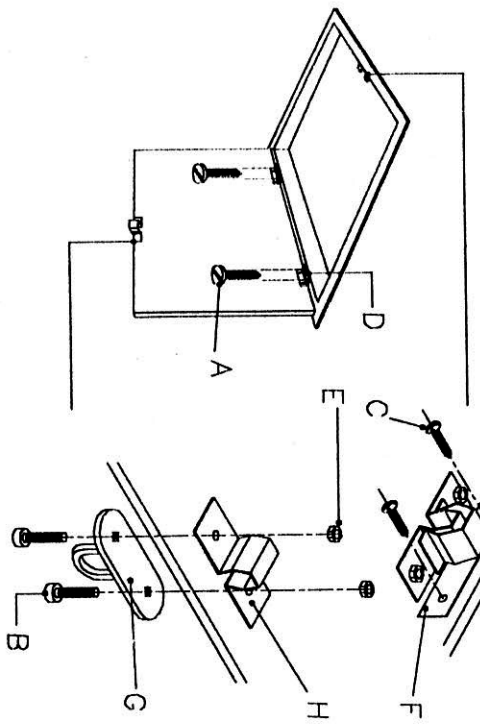
# ALU-FIX



✦ IL FAUT FIXER L'ESCALIER AVEC DES VIS AUX 4 COINS DE LA PLAQUE FOURNIE, COMME INDIQUE SUR LE SCHEMA CI CONTRE.  
 ✦ FIX THE LADDER USING SCREWS AT ALL 4 CORNERS OF THE PLATE SUPPLIED AS INDICATED ON THE SIDE DRAWING.  
 ✦ DIE TREPPE DURCH 4 SCHRAUBEN BEFESTIGEN, EINE SCHRAUBE IN JEDER ECKE DER MONTERUNGSPLATTE WIE AN DER ZEICHNUNG ANGEGEBEN.



**1** FITTING TRAPDOOR & LOCK / MONTAGE VON LUCKENDECKEL UND SCHLOSS / POSITIONNER TRAPPE ET LOUQUETEAU / HET INSTALLEREN VAN DE ZOLDERLUIK & VANGERSCHOOT / MONTERING AF LOFTSLEM OG LAS



A	B	C
x8	x2	x2
D	E	F
x2	x2	x1
G	H	I
x1	x1	