

Aluminium Freestanding Step Over Unit

Typical Stair Dimensions

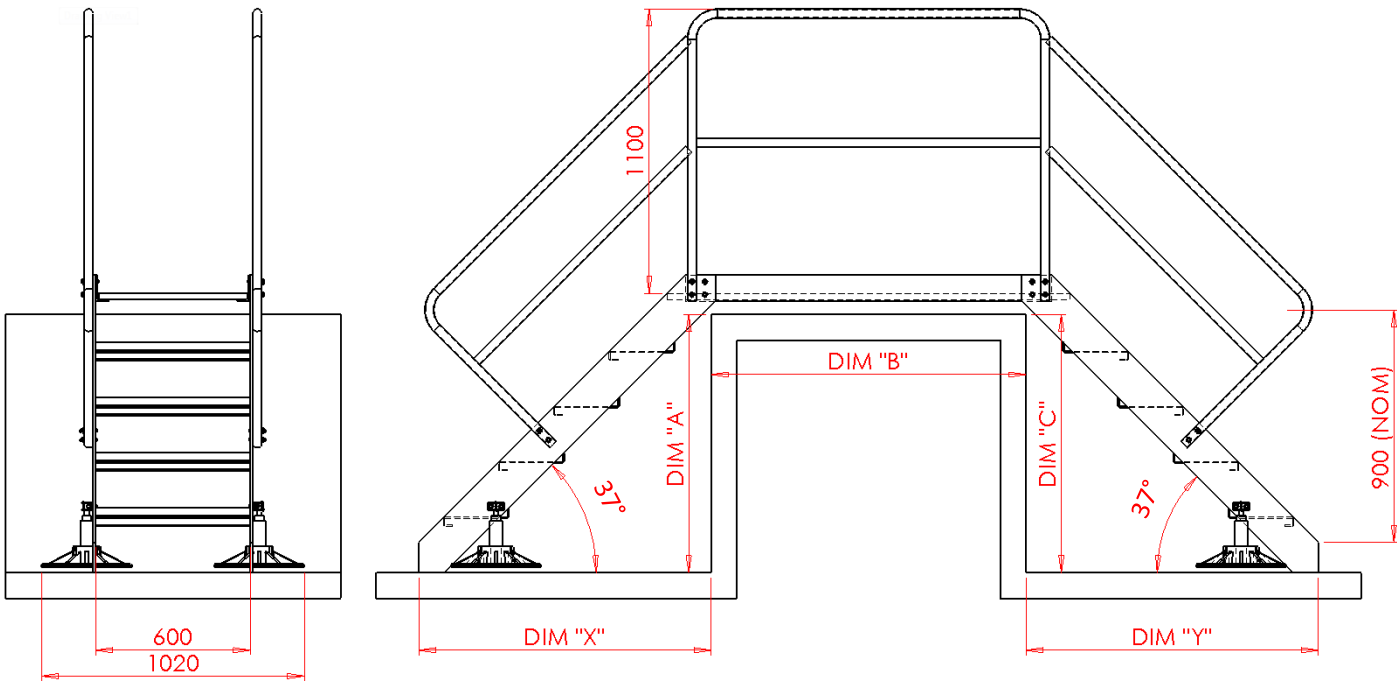
BS5395: Part 3 & BS EN ISO 14122-03 2001 + A1 2010

Handrail Specification:

- Height: 1100mm above surface of decking
- Top Rail: 35mm diameter tube
- Midrail: 35mm diameter tube
- All internal fixings to be dome
- Handrails fitted to both sides of stairs & platform
- Finish: Mill finish aluminium

Stair Specification

- Stiles: 152 x 9.5 Aluminium flat bar
- Tread Dimensions (h x w x d): 35 x 600 x 250mm (nom)
- Tread Construction: Folded aluminium chequerplate
- Fixings in stainless steel A4 grade
- Finish: Mill finish aluminium
- Guardrail height: 950mm



Typical Stair “Throw”

Please note, all dimensions are per side and are intended as a guide only

Dim A	Dim X
300	650
500	920
700	1180
900	1450
1100	1710
1300	1975
1500	2240

LADDERSTORE

01204 590 232

MON - THURS 9AM-5PM
FRI 9AM-4.30PM