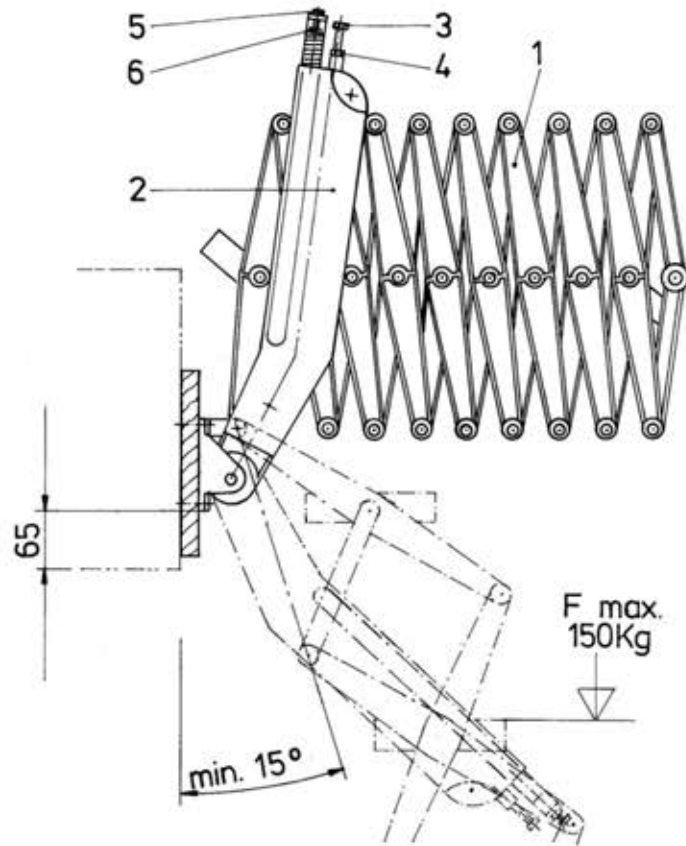


ZIG ZAG LADDER: COMPONENT IDENTIFICATION SHEET



1. Stairway Scissor Packet
2. Operating Arm Assembly
3. Touchdown adjustment bolt
4. Lock nut
5. Secondary spring tension adjustment screw (set at the factory)
6. Lock nut
7. Main counterbalance springs
8. Spring roller
9. Domed head locating stud
10. Fixing screws (not supplied)
11. Washer
12. Mounting backboard

