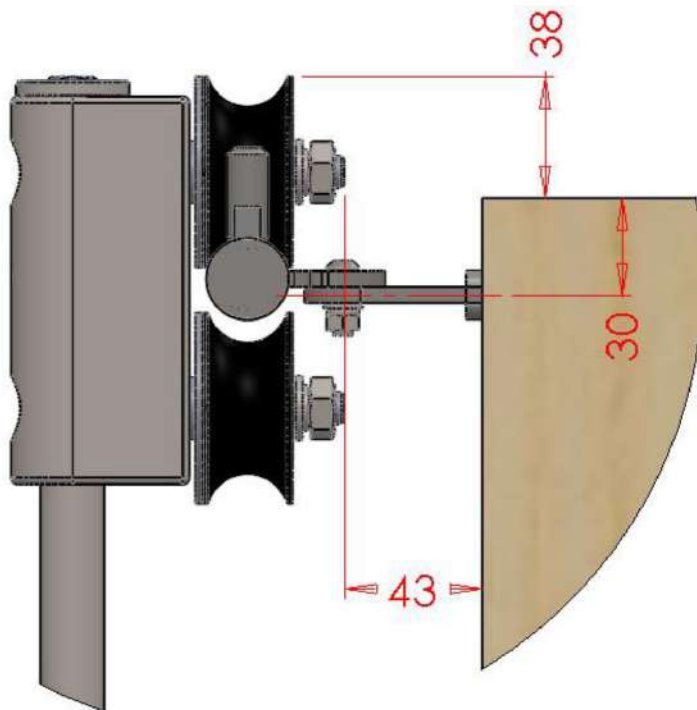


Rolling Ladder: Stainless Steel Data Sheet:

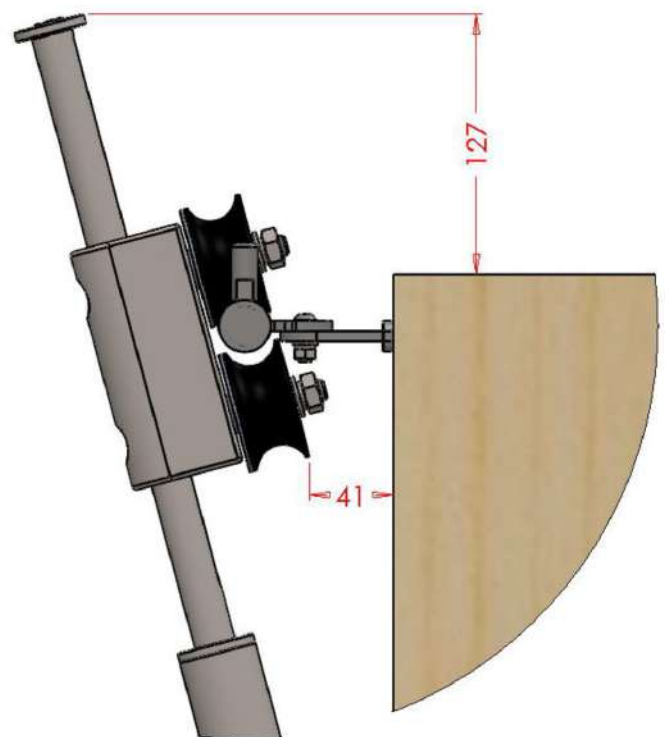
ROLLING LADDER TECHNICAL INFORMATION

FIXED LADDERS

When supplied as a fixed ladder system the rolling mechanism is securely fixed to the ladder and the system is the most stable and easy to use. We would recommend a fixed ladder option particularly when a taller ladder system is required in order to negate any impact the ladder weight may have



Chassis position when ladder is in use, if dimensions are not suitable we will be more than happy to discuss a bespoke solution to meet your needs

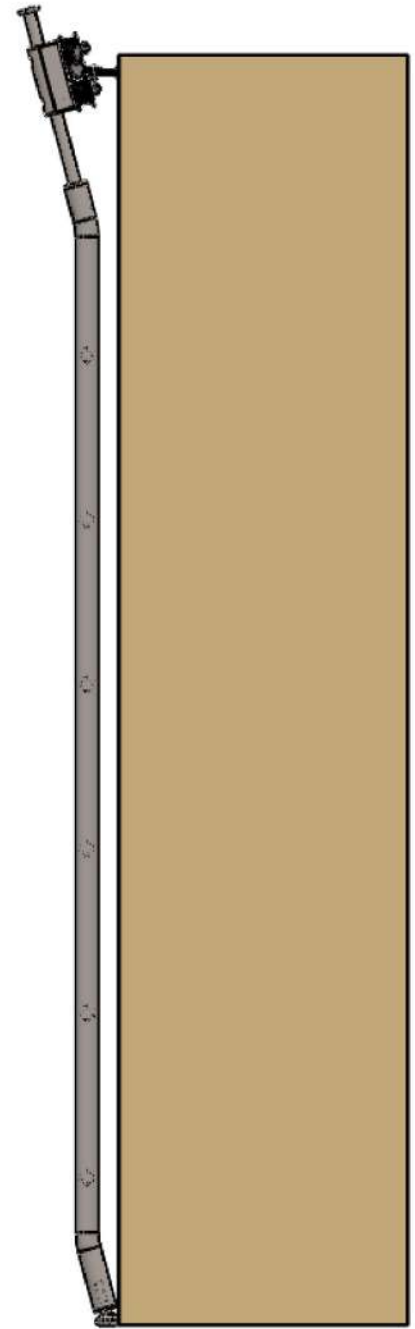
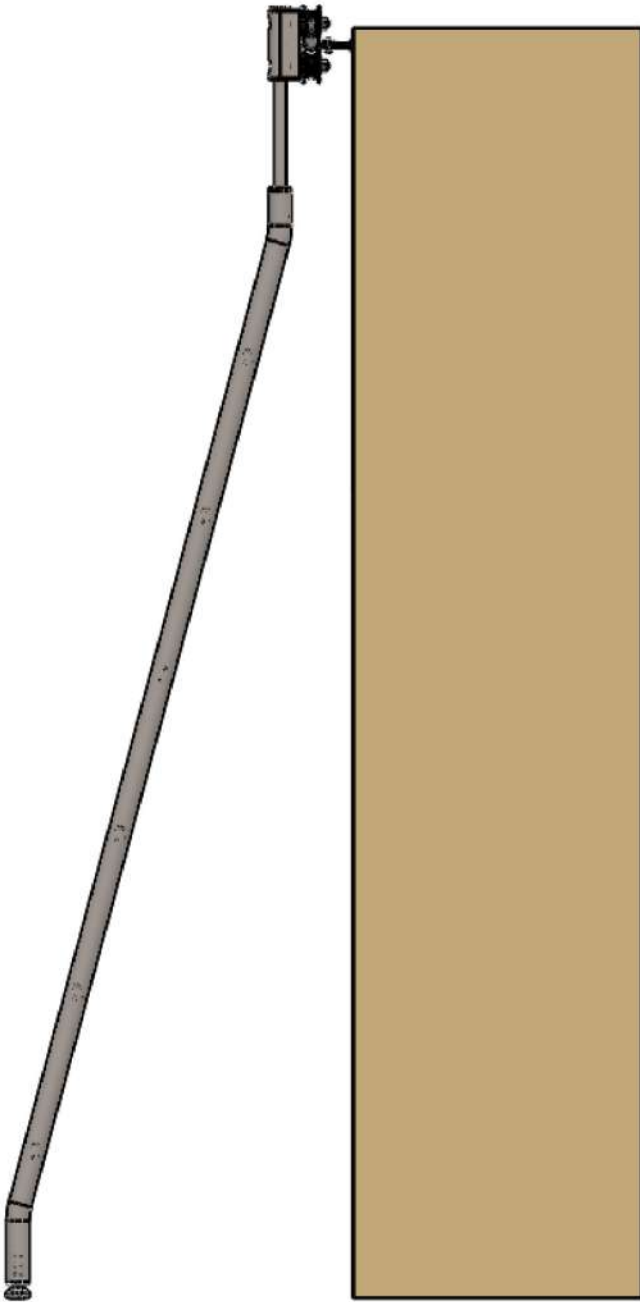


Chassis position when ladder is store:
PLEASE NOTE: Exact dimensions will vary dependant on ladder height, if this dimension is critical please confirm with our staff before moving forwards

Rolling Ladder: Stainless Steel Data Sheet:

VERTICAL STORAGE

When in use our ladder pulls out to a comfortable 75 degrees (this can be altered if required) and stores vertically to ensure an unobtrusive and streamline system, maximising access and storage while maintaining minimum visual impact. Perfect for use when space is at a premium



LADDERSTORE
Working At Height Solutions

The Old Bank, 116-118 Bradshaw Brow, Bolton, BL2 3DD
Phone: 01204 590 232 Fax: 01204 595 421
Web: www.ladderstore.com

ISO:9001 Certified & Investors In People Silver.

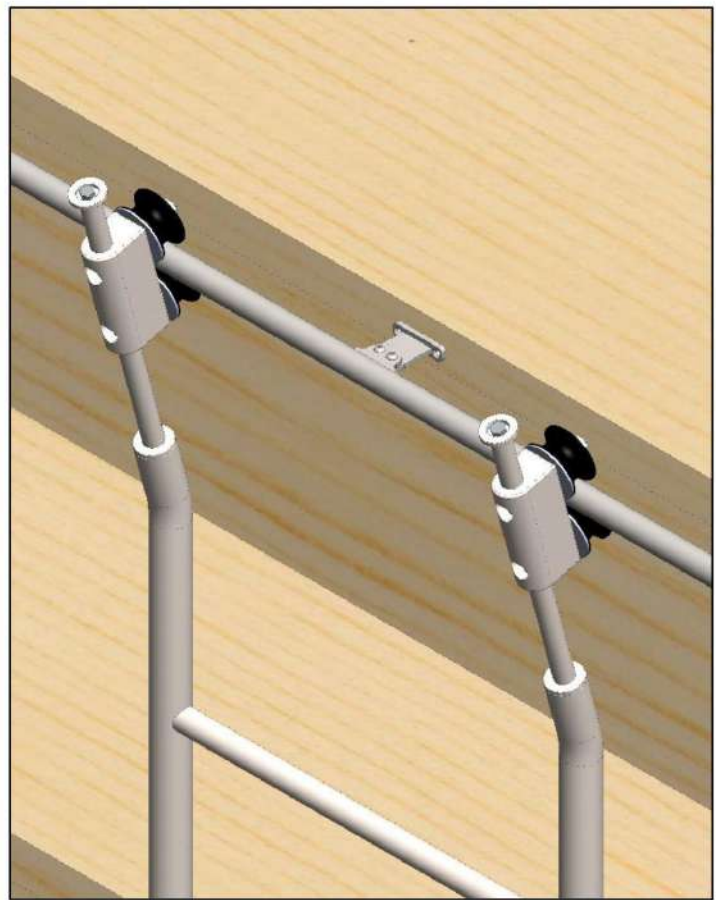
Rolling Ladder: Stainless Steel Data Sheet:

SILENT, SMOOTH RUNNING

With a ladder manufactured entirely from stainless steel and all moving components in hardwearing, slightly nylon all sliding movement within our ladder system is designed to ensure uncompromised safety combined with silent, smooth running



Chassis position when ladder is in use



Chassis position when ladder is stored

LADDERSTORE
Working At Height Solutions

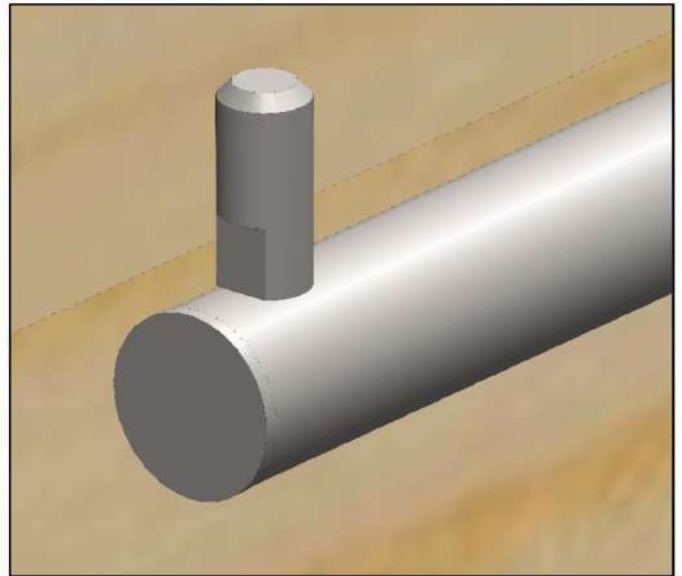
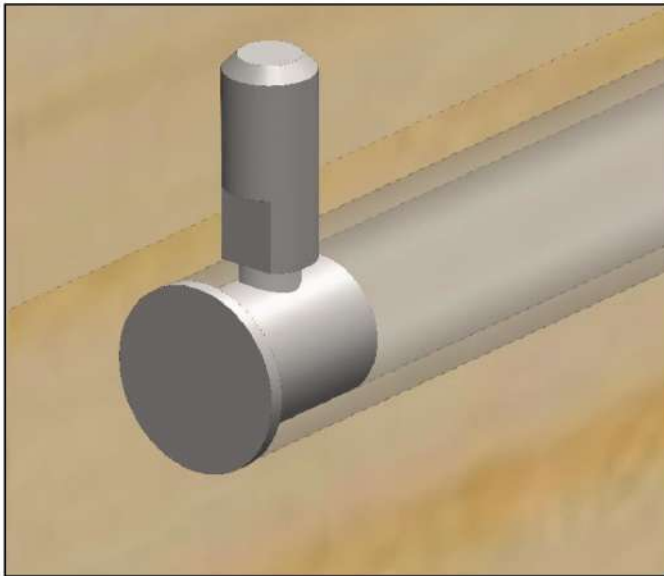
The Old Bank, 116-118 Bradshaw Brow, Bolton, BL2 3DD
Phone: 01204 590 232 Fax: 01204 595 421
Web: www.ladderstore.com

ISO:9001 Certified & Investors In People Silver.

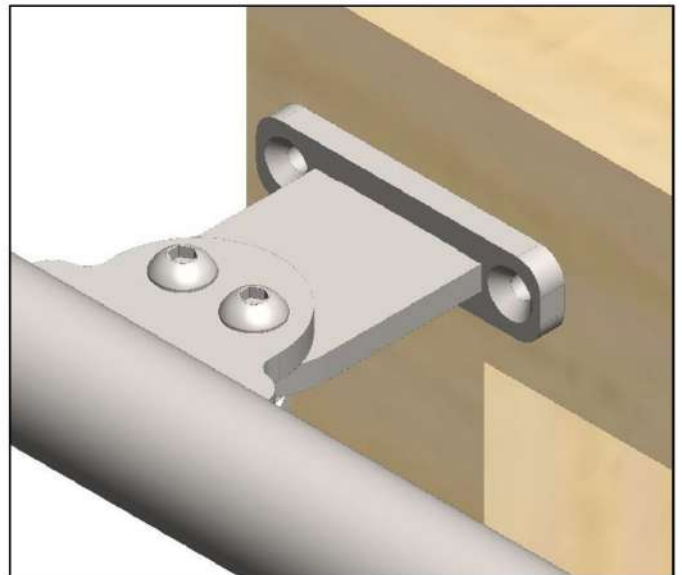
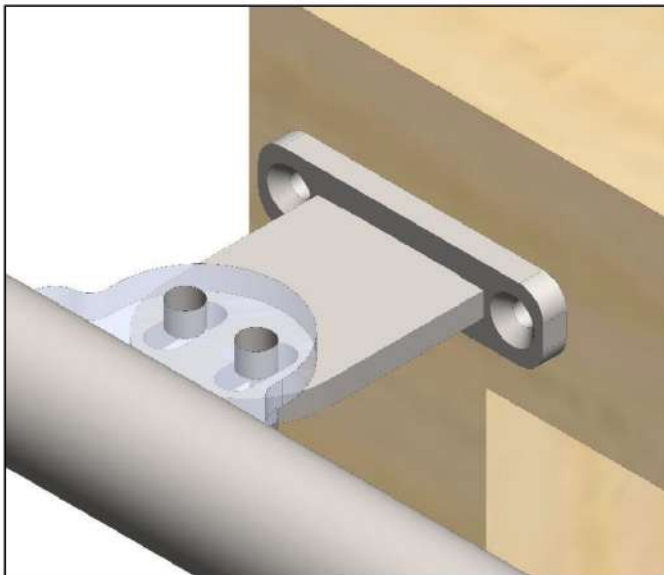
Rolling Ladder: Stainless Steel Data Sheet:

PRECISION AND STRENGTH

Precision machined ends stops and adjustable stand off brackets all from stainless steel ensure a perfect fit and unquestionable strength in any situation. If our standard designs do not suit or structure or tastes we are happy to provide bespoke solutions on request



Machined end stops and tube caps ensure safety as the ladder can not disengage with the track while ensuring no visible fixings to compromise the smooth aesthetics



2 piece, adjustable fixing brackets ensure a safe and secure fixing combined with the adjustment necessary to ensure the final installation never compromises on quality

LADDERSTORE
Working At Height Solutions

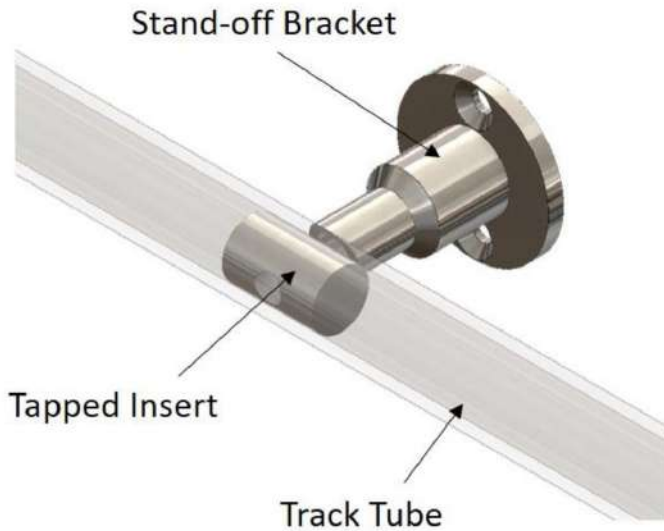
The Old Bank, 116-118 Bradshaw Brow, Bolton, BL2 3DD
Phone: 01204 590 232 Fax: 01204 595 421
Web: www.ladderstore.com

ISO:9001 Certified & Investors In People Silver.

Rolling Ladder: Stainless Steel Data Sheet:

BESPOKE SOLUTIONS

If our standard designs do not suit or structure or tastes we are happy to provide bespoke solutions on request



In order match a customers request for no visible fixings and a suit a décor heavy with tube and curved lines we developed a "fixingless" wall bracket from round materials



Where space is at a premium and we have to fix to an existing structure we can accommodate wall fixings, extended stand off brackets and a curved track

LADDERSTORE
Working At Height Solutions

The Old Bank, 116-118 Bradshaw Brow, Bolton, BL2 3DD
Phone: 01204 590 232 Fax: 01204 595 421
Web: www.ladderstore.com

ISO:9001 Certified & Investors In People Silver.