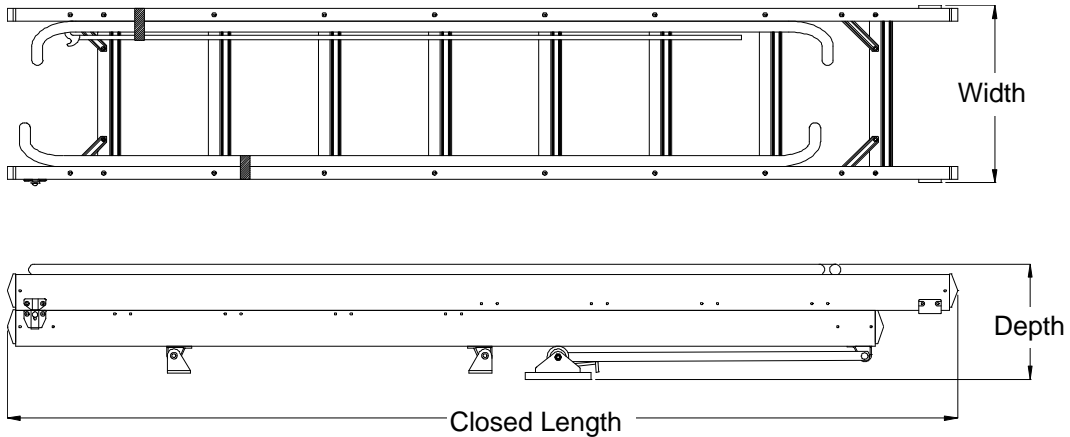


Deluxe Stairway Loft Ladder

Packed Dimensions



Packaged Dimensions	Closed Length (mm)	Width (mm)	Depth (mm)	Volume (m ³)	Weight (kg)
	2160	405	265	0.232	18.4

Technical Information

Materials: Stiles and Treads - Extruded Aluminium Alloy
 Handrails - Aluminium Alloy Tube
 Operating Pole - Aluminium Alloy Tube fitted with aluminium cast hook.
 Other fittings - Steel and plastic

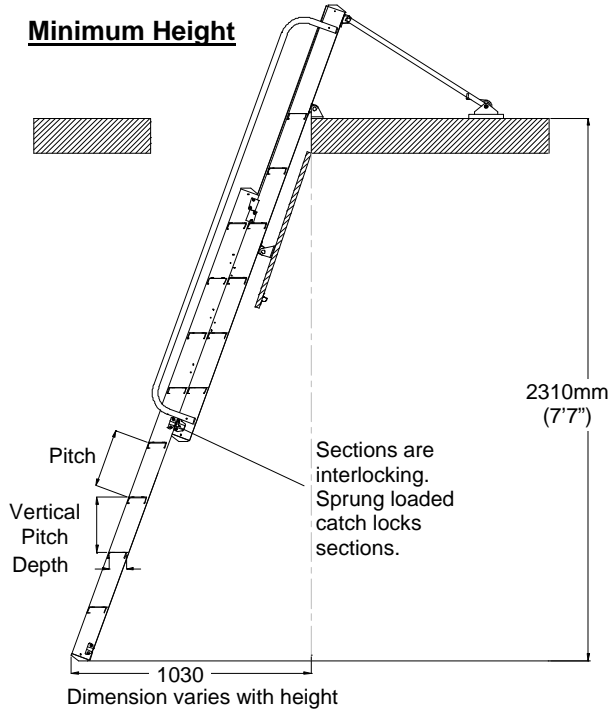
Duty Rating: User and items must not exceed the maximum safe working load of 150 kg (23.6 stones).

Classification: Kitemarked to BS 7553 Class H (Heavy Duty) - 'For relatively high frequency and onerous conditions of use and storage.'

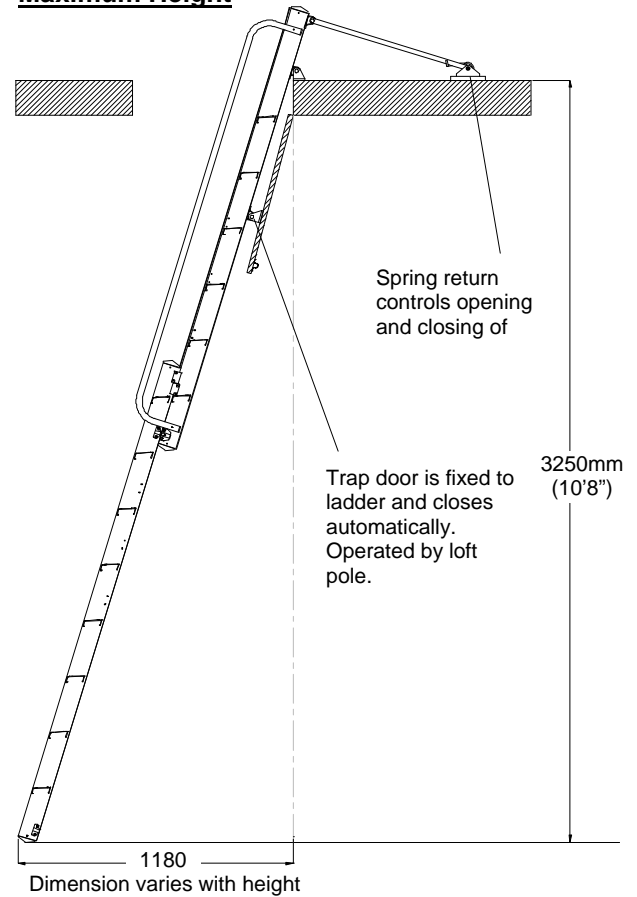
Deluxe Stairway Loft Ladder

Floor to Floor Heights

Minimum Height

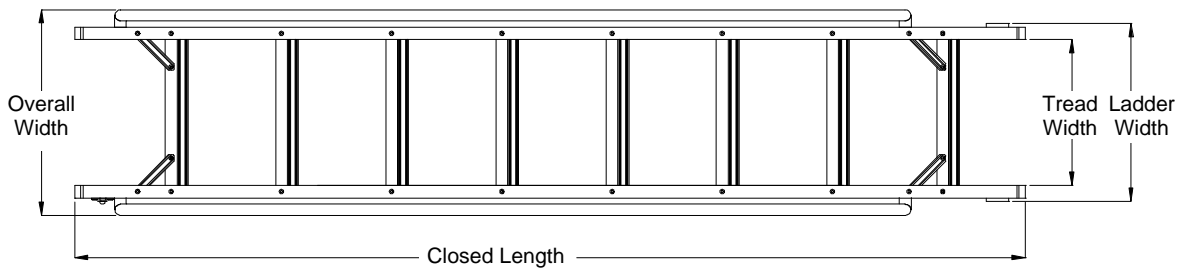


Maximum Height



	Floor to Floor Height
Setting 1	2310mm (7'7") to 2545mm (8'4")
Setting 2	2545mm (8'4") to 2780mm (9'2")
Setting 3	2780mm (9'2") to 3015mm (9'11")
Setting 4	3015mm (9'11") to 3250mm (10'8")

Product Dimensions

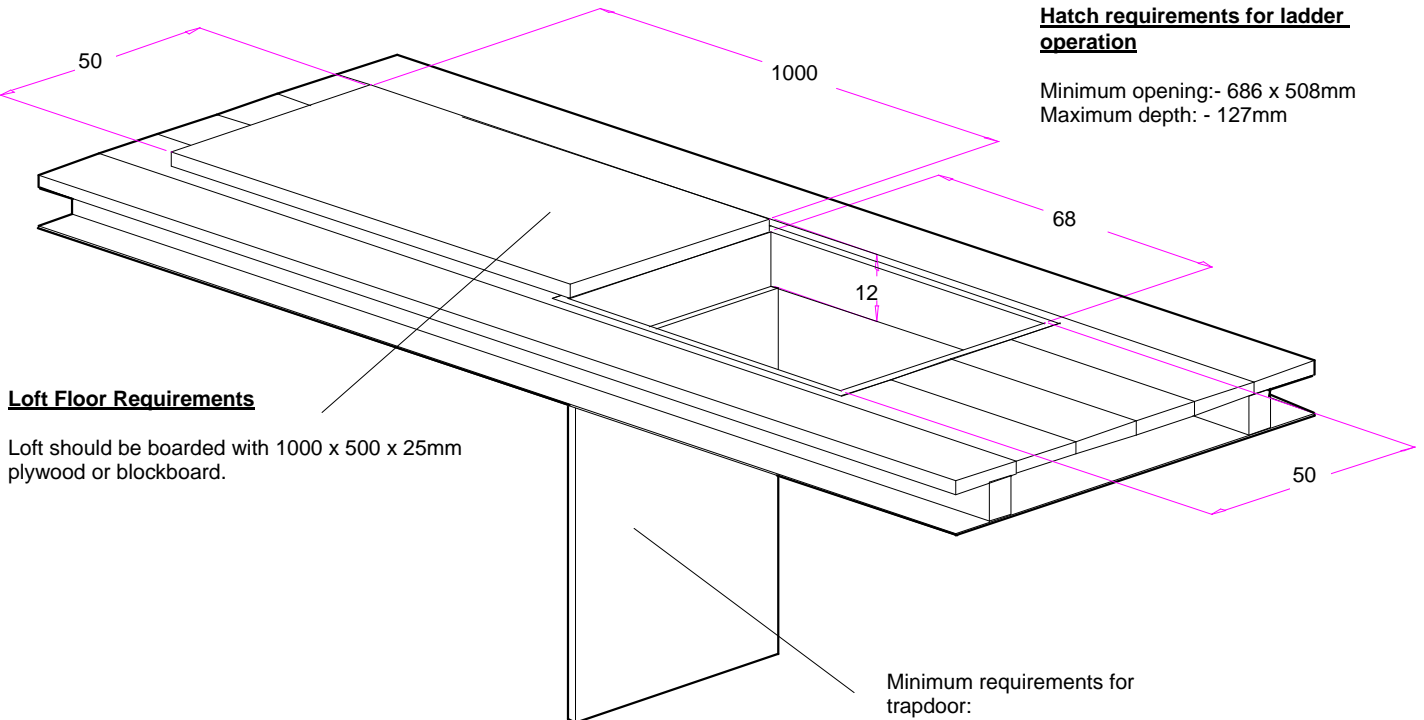


Treads	Lower Section	Upper Section	Width (mm)	Depth (mm)	Pitch (mm)	Vertical Pitch (mm)
	8	6	330	74	250	235
Assembled Dimensions	Closed Length (mm)	Ladder Width (mm)	Overall Width (mm)	Nominal Working Angle		
	2160	402	466	70°		

Deluxe Stairway Loft Ladder

Hatch requirements for ladder operation

Minimum opening:- 686 x 508mm
Maximum depth: - 127mm



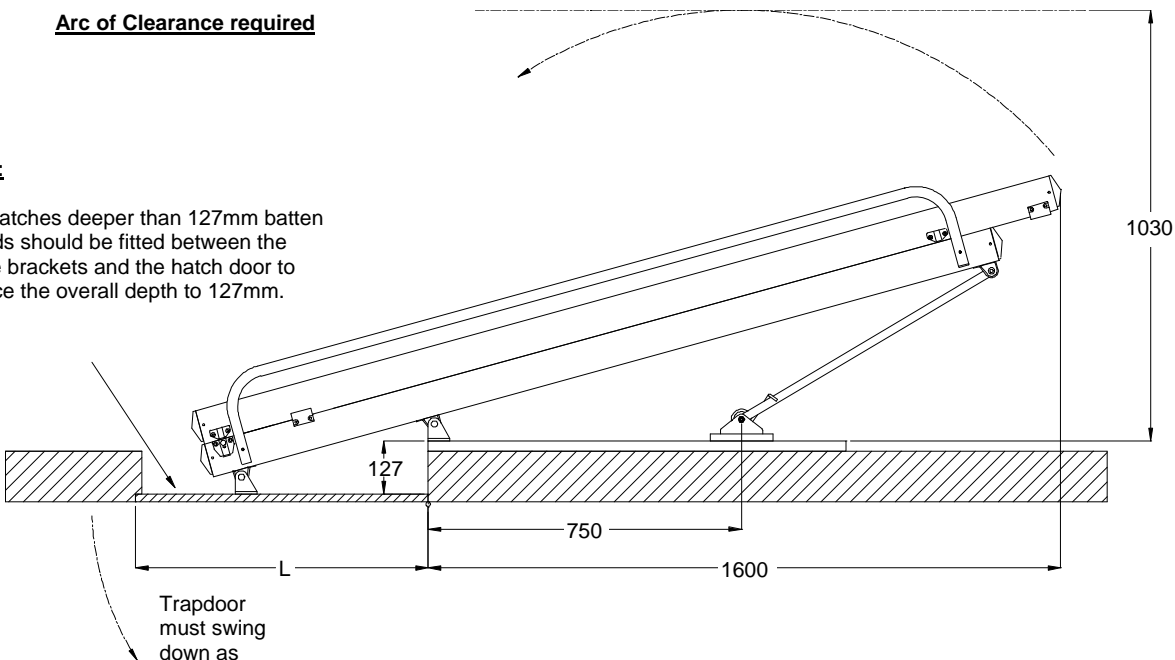
Loft Floor Requirements

Loft should be boarded with 1000 x 500 x 25mm plywood or blockboard.

Arc of Clearance required

Note:

For hatches deeper than 127mm batten boards should be fitted between the hinge brackets and the hatch door to reduce the overall depth to 127mm.



Note:

Heavy trapdoors will cause the hatch to remain open.

An approximate rule for finding maximum door weight in kg for given length is :

$$\text{Max. Weight (kg)} = 4220/L \text{ when } L \text{ is in mm.}$$